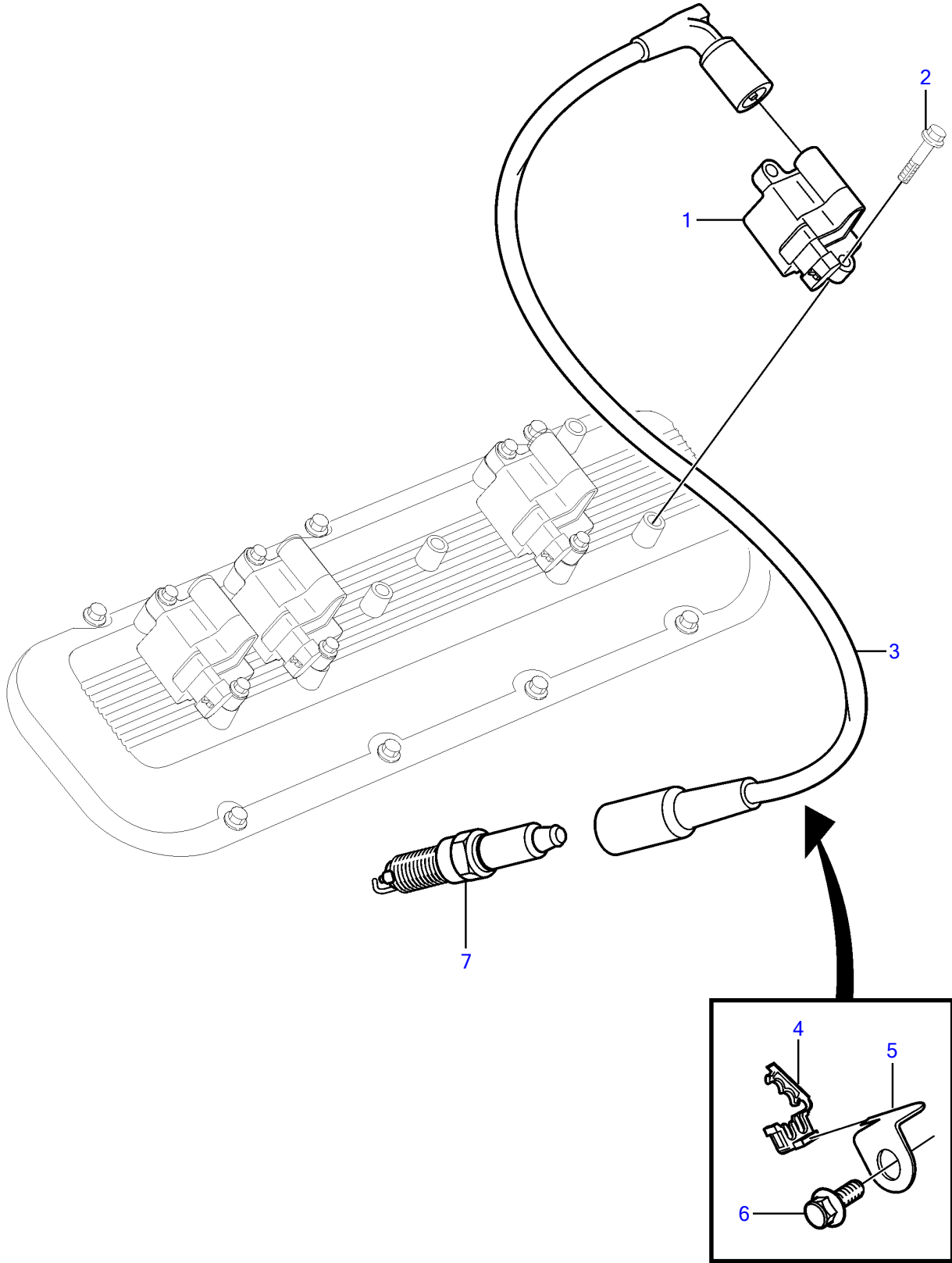


8.1IPSCE-JF, 8.1IPSCE-MF



**8.1IPSCE-JF, 8.1IPSCE-MF**

REF	PART NO.	QTY	DESCRIPTION	NOTES
1	3859078	8	Ignition coil	
2	3861258	16	Bolt	
3	3861295	1	Ignition cable kit	
4	3861377	12	Retainer	
5	3861392	4	Bracket	
6	946441	2	Flange screw	
7	3861326	2	Spark plug kit	4 pack
	3861327	X	Spark plug kit	24 pack