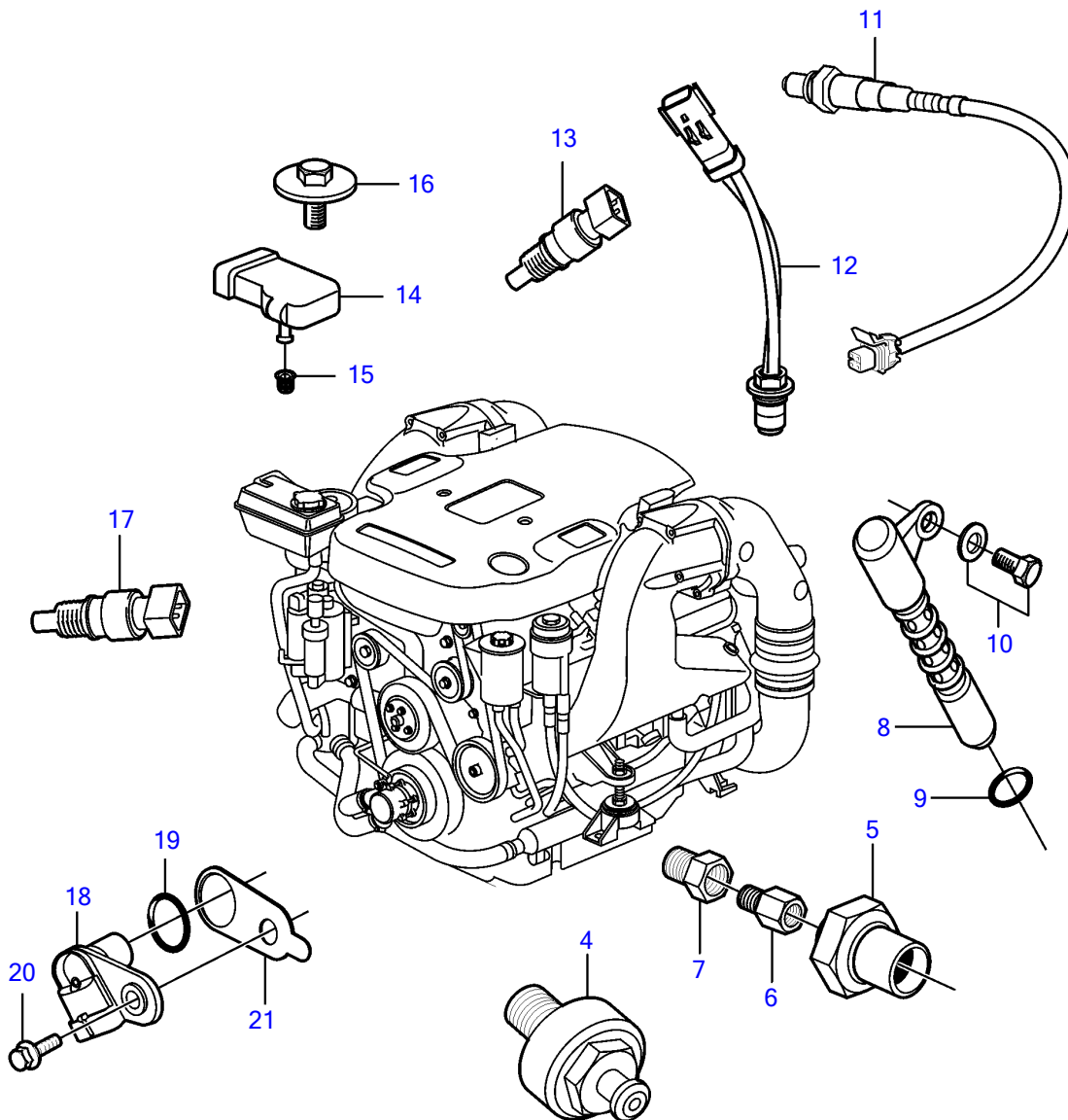
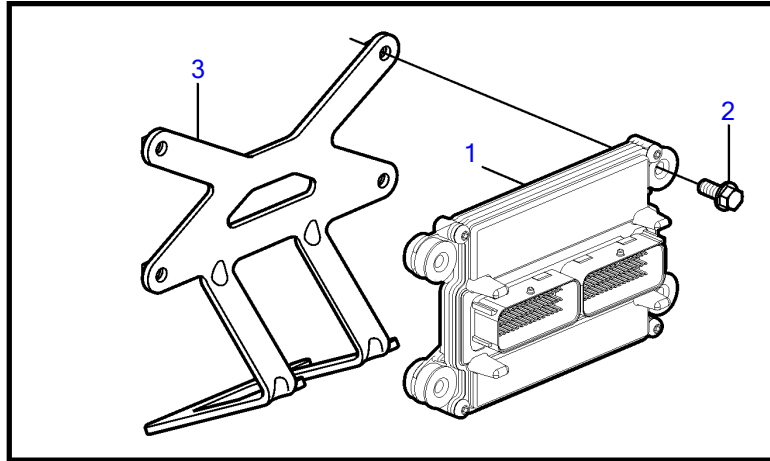


8.1IPSCE-MF



8.1IPSCE-MF

REF	PART NO.	QTY	DESCRIPTION	NOTES
1	3875211	1	Module	
2	3843651	4	Flange screw	
3	3595472	1	Bracket	
4	3861301	2	Knock sensor	
5	3887328	1	Sensor	
6	3887970	1	Fitting	
7	3857816	1	Bushing	
8	3808516	1	Sensor, crankshaft position	
9		1	• O-ring	not sold separately
10	3861262	1	Bolt	
11	3883724	4	Sensor, oxygen	
12	3889526	4	Sensor, temperature	
13	3854527	1	Sensor, mat	
14	3861321	1	Sensor, map	
15	3858988	1	• Sealing	
16	3861240	1	Bolt	
17	3850397	1	Switch, coolant water temp.	
18	3808513	1	Sensor, camshaft position	
19		1	• O-ring	not sold separately
20		1	Screw	part not sold
21		1	Spacer	part not sold