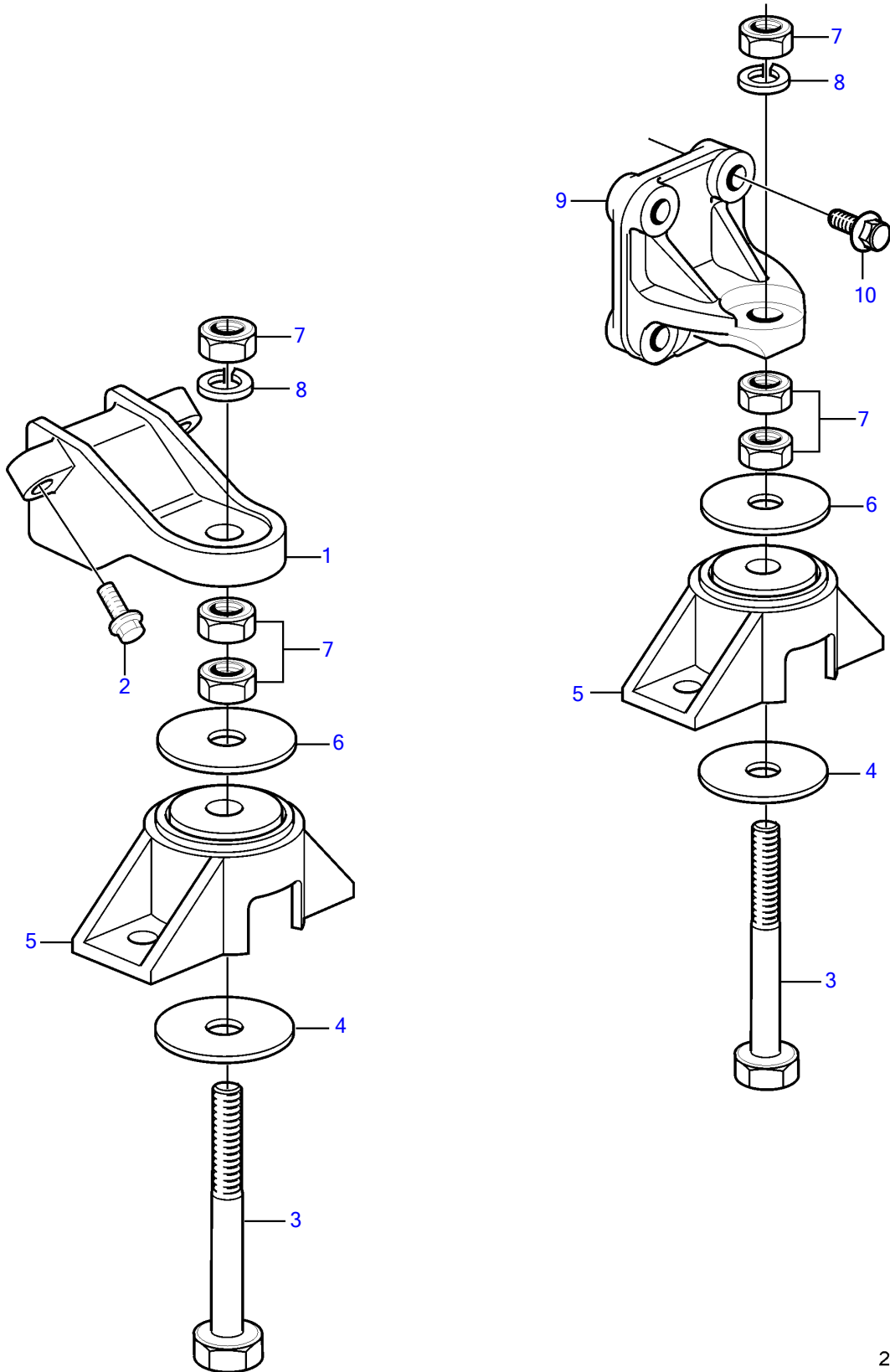


8.1IPSCE-JF, 8.1IPSCE-MF



24097

8.1IPSCE-JF, 8.1IPSCE-MF

REF	PART NO.	QTY	DESCRIPTION
1	3818718	2	Bracket
2	3863139	6	Screw
3	3852566	4	Bolt
4	3852428	4	Washer
5	3853805	4	Rubber cushion
6	3852433	4	Washer
7	3852021	12	Nut
8	3852090	4	Spring washer
9	3595254	2	Bracket
10	3863139	8	Screw