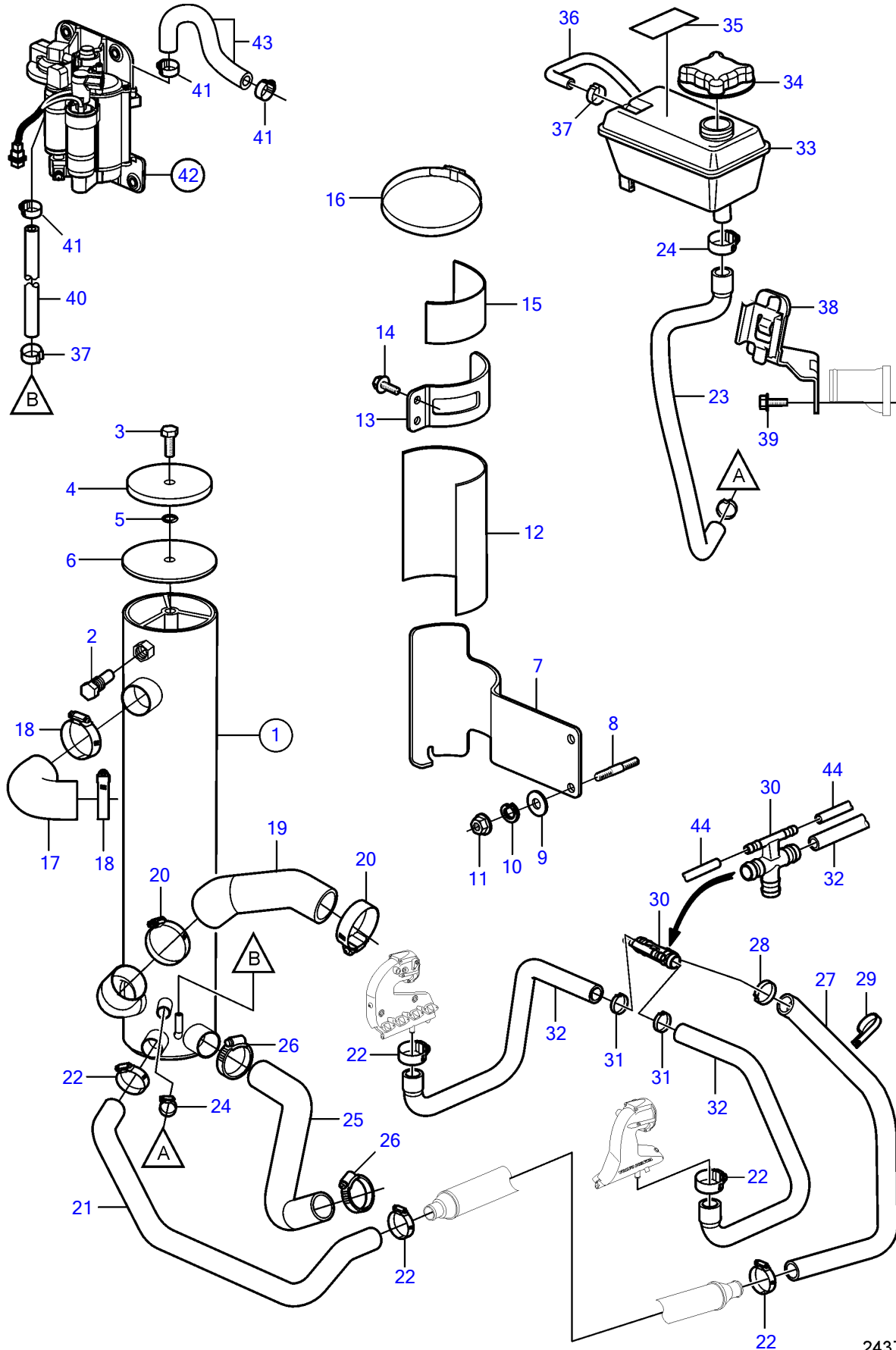


8.1IPSCE-JF, 8.1IPSCE-MF



8.1IPSCE-JF, 8.1IPSCE-MF

REF	PART NO.	QTY	DESCRIPTION	SEE SEC.	NOTES
1	3860907	1	Heat exchanger		
2	3858995	1	• Anode		
3	3858994	2	• Screw		
4	3858992	2	• Cover		
5	983191	2	• O-ring		
6	3858993	2	• Gasket		
7	3860905	1	Bracket		
8	983613	2	Stud		
9	980933	2	Washer		
10	3852046	2	Spring washer		
11	971095	2	Flange nut		
12	3861042	1	Gasket		
13	3860962	1	Bracket		
14	982285	2	Flange screw		
15	3853236	1	Spacer		
16	3863443	2	Hose clamp		
17	3860914	1	Hose		
18	3812304	2	Hose clamp		
19	3860915	1	Hose		
20	3863438	2	Hose clamp		
21	3841406	1	Hose		
22	3863441	5	Hose clamp		
23	21106404	1	Hose		
24	3812303	2	Hose clamp		
25	3817820	1	Hose		
26	3863441	2	Hose clamp		
27	3808671	1	Hose		
28	982644	1	Clamp		
29	3852490		Attaching clamp, loop		
30	3595176	1	Adapter		
31	(982647)	2	Clamp		Obsolete part
32	3888959	2	Hose		
33	861105	1	Expansion tank		
			• Bulletin P-18-4-4	P-18-4-4-EN	Coolant Recommendations for Gas Engines
			• Bulletin p-26-1-7	p-26-1-7-EN	Coolant Capacity, FWC Gas Engines
34	1674083	1	Pressure cap		
35		1	Decal		part not sold
36	40005477	1	Hose		
37	3860413	2	Hose clamp		
38	3888583	1	Bracket		
39	3887488	2	Flange screw		
40	3860589	1	Hose		
41	3860413	2	Hose clamp		
42		1	Fuel pump		See "Fuel system" page
43	3860297	1	Hose		
44		2	Hose		See "Exhaust Thermostat system" page