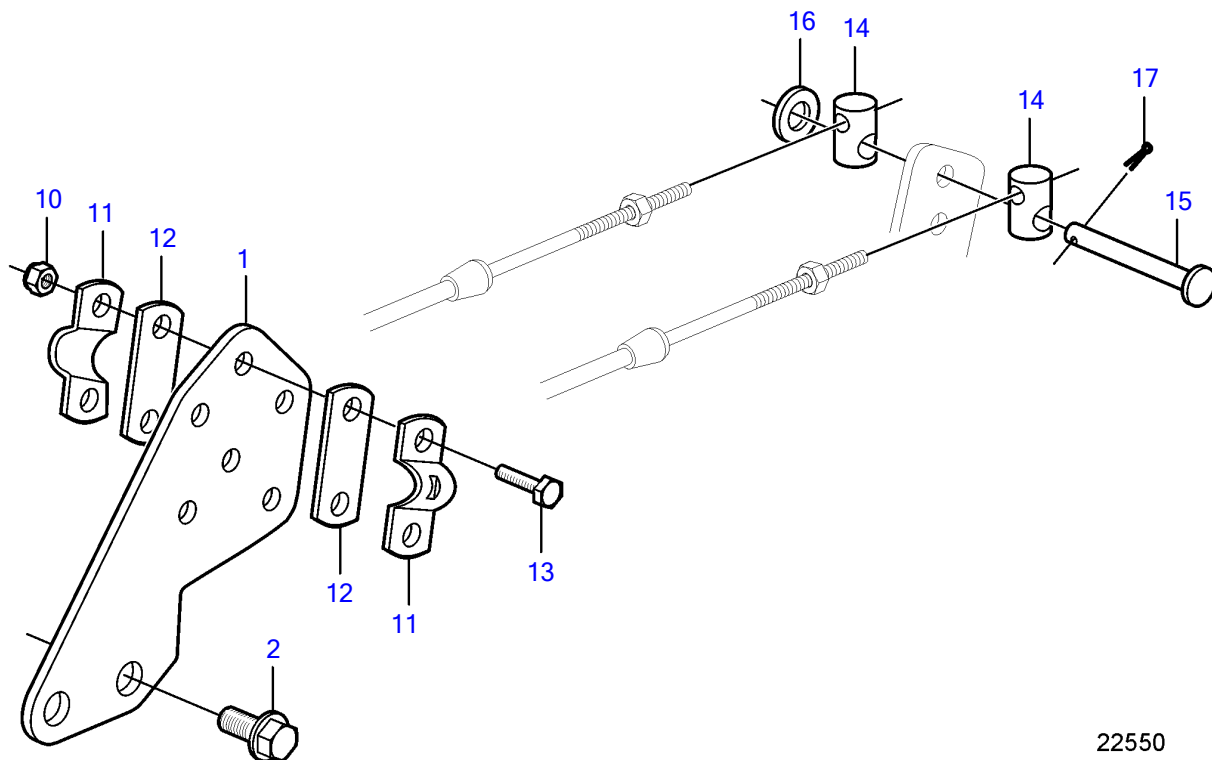
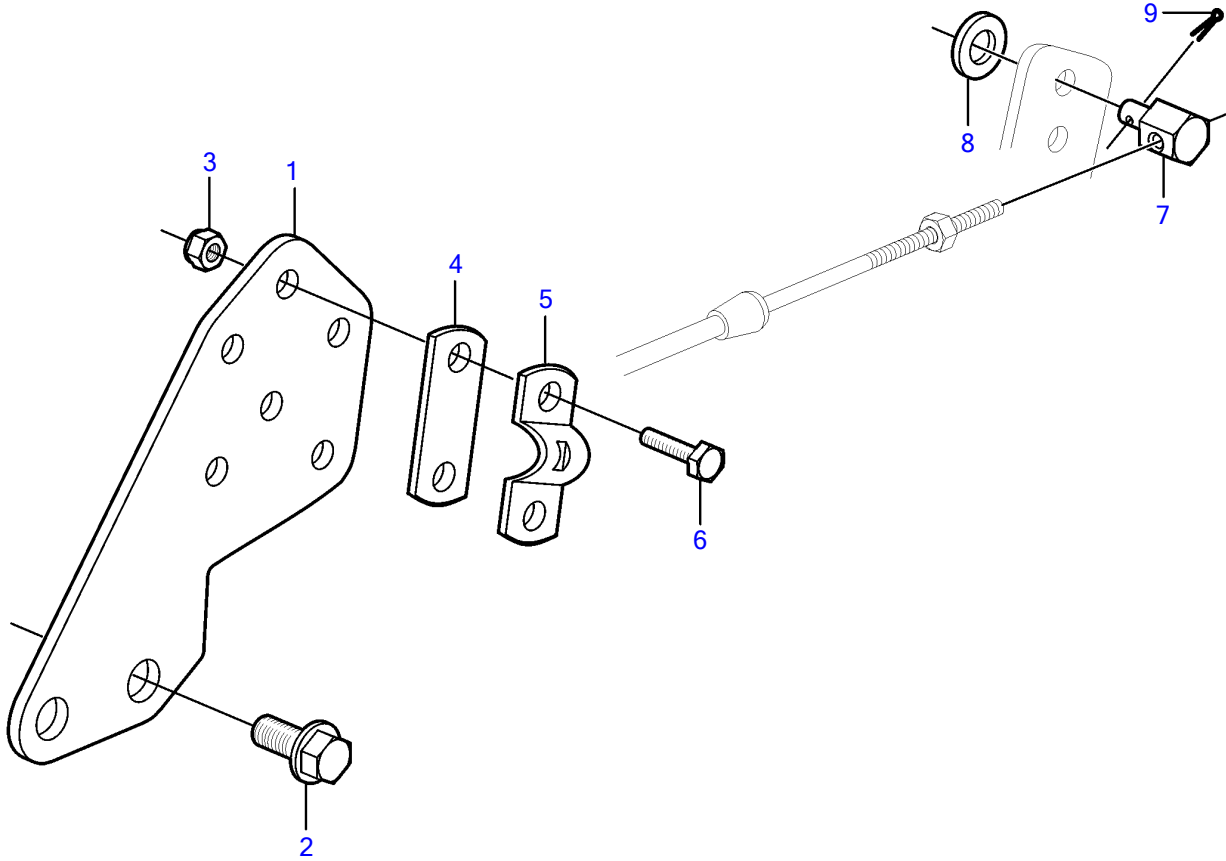


8.1GII-H, 8.1GXII-G



## 8.1GII-H, 8.1GXII-G

REF	PART NO.	QTY	DESCRIPTION
1	3818135	1	Bracket
2	946440	2	Flange screw
3	949874	2	Flange lock nut
4	819068	1	Washer
5	21471054	1	Bracket
6	955246	2	Hexagon screw
7	3841580	1	Cube
8	3852193	1	Washer
9	3852052	1	Split pin
10	949874	1	Flange lock nut
11	21471054	2	Bracket
12	819068	2	Washer
13	965204	1	Flange screw
14	3589659	2	Cube
15	3589662	1	Pin
16	3852193	1	Washer
17	3852052	1	Split pin