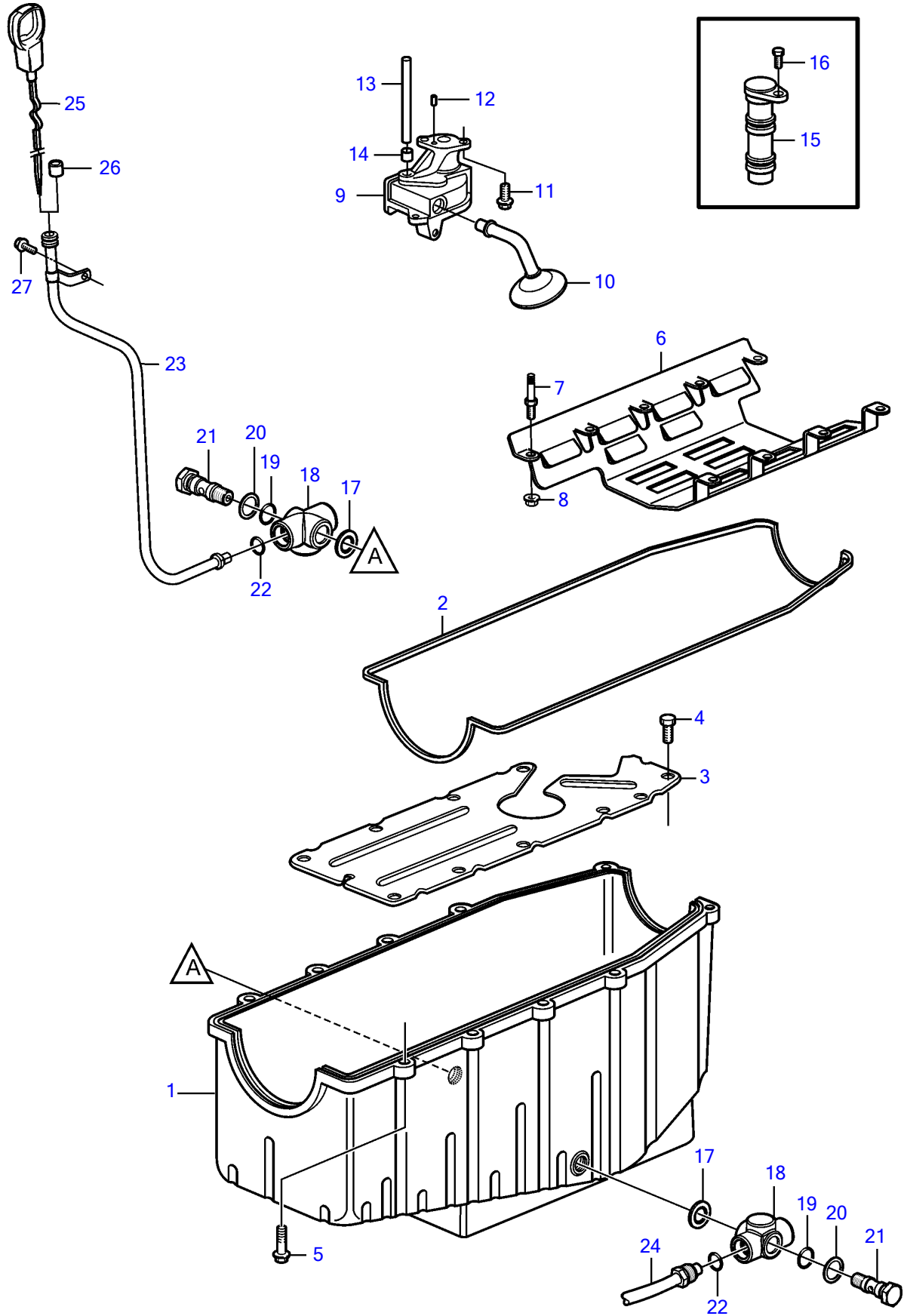


8.1GiI-H, 8.1GXII-G



8.1GII-H, 8.1GXII-G

REF	PART NO.	QTY	DESCRIPTION	NOTES
1	3808521	1	Oil pan	
2	3861288	1	• Gasket	
3		1	• Baffle	
4		10	• Screw	
5	3861255	12	Bolt	
6	3808520	1	Oil deflector	
7	3861331	10	Stud	
8	3861302	9	Nut	
9	3861305	1	Oil pump	
10		1	Oil pump screen	Not serviced
11	3861259	1	Bolt	
12	3855972	1	Pin	
13	(3855976)	1	Shaft	Obsolete part
14	3853199	1	Retainer	
15	3861276	1	Drive	
16	3861254	1	Bolt	
17	3851981	2	Washer	
18	3587783	2	Fitting	
19	3853674	2	O-ring	
20	3852007	2	Washer	
21	888958	2	Retainer	
22	3852033	2	O-ring	
23	3861608	1	Tube	Starboard
24	3812257	1	Tube	Port
25	3862843	1	Gauge	
26	3858536	1	Cardboard tube	
27	967949	1	Flange screw	