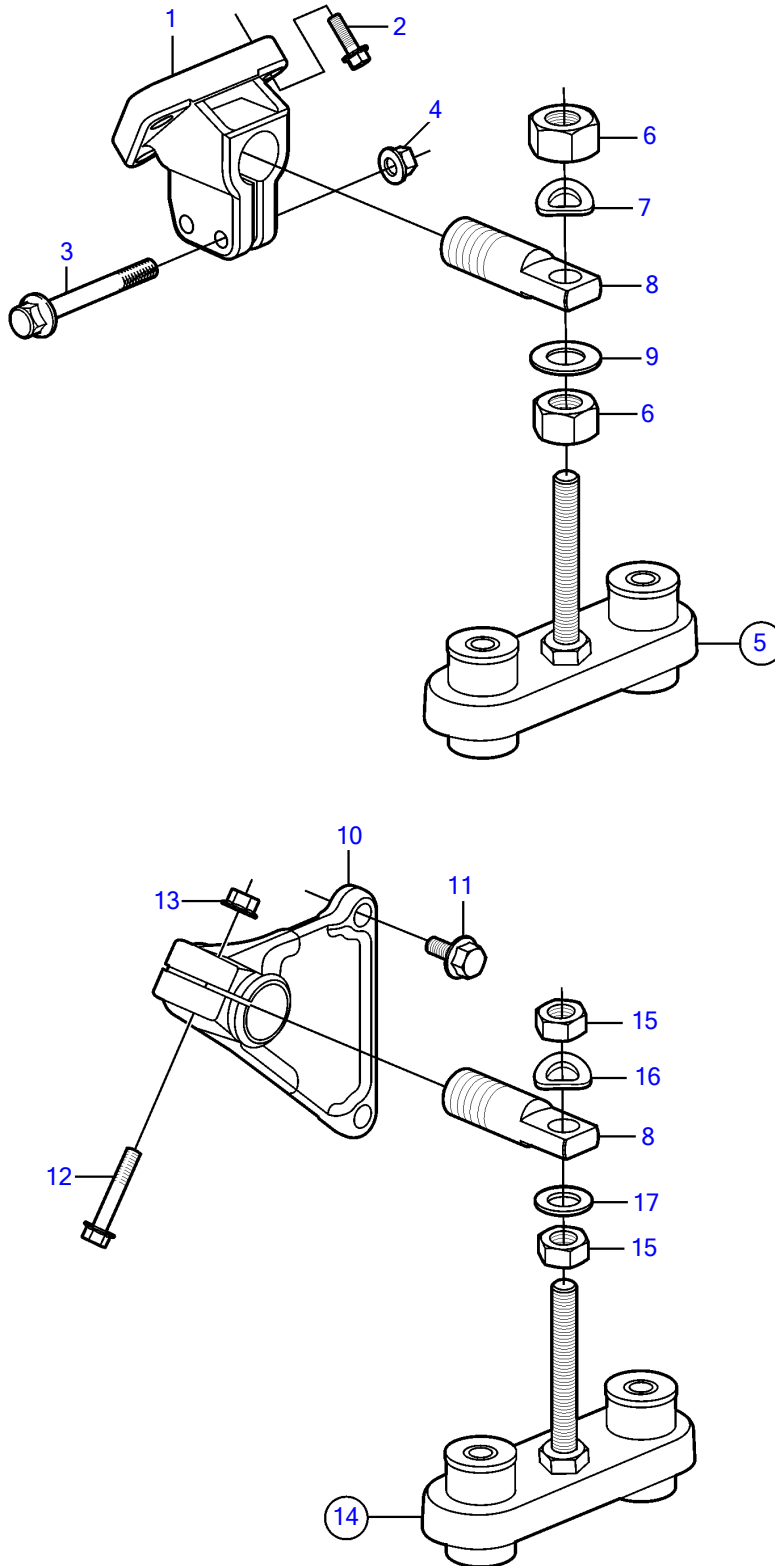


8.1GiI-H, 8.1GXii-G



8.1GII-H, 8.1GXII-G

REF	PART NO.	QTY	DESCRIPTION	NOTES
1	(3883821)	2	Bracket	Obsolete part
2	3863139	6	Screw	
3	3847697	4	Screw	
4	946175	4	Flange nut	
5	3807621	2	Anchorage	
6	955860	4	Hexagon nut	
7	941914	2	Spring washer	Obsolete part
8	3863365	4	Pin	
9	3857588	2	Washer	
10		2	Bracket	
11	965191	4	Flange screw	
12	3847697	2	Screw	
13	946175	2	Flange nut	
14	3807621	2	Anchorage	
15	955860	4	Hexagon nut	
16	941914	2	Spring washer	Obsolete part
17	3857588	2	Washer	