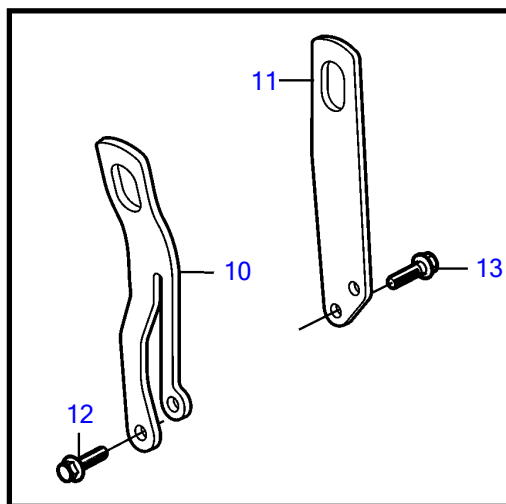
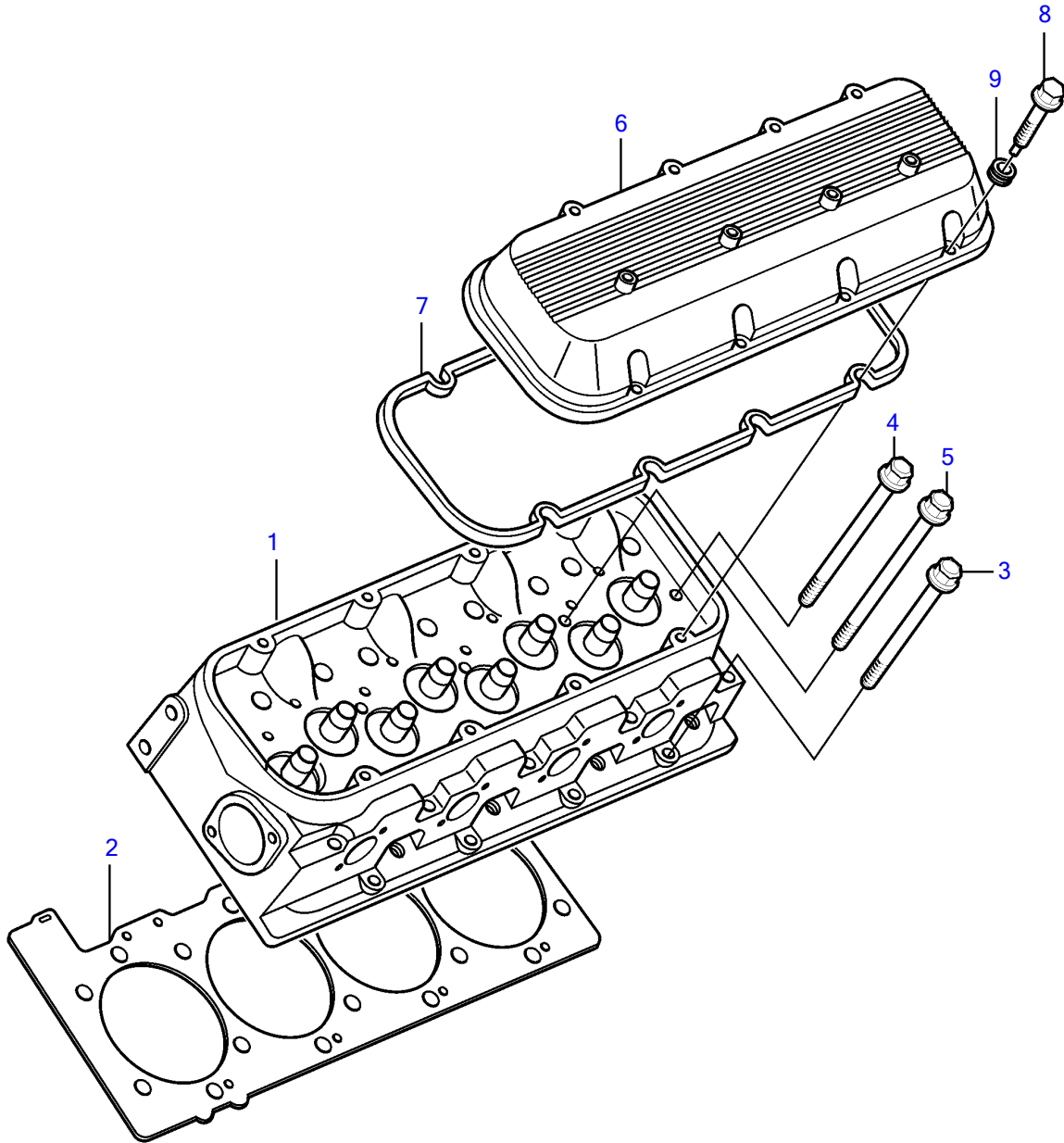


8.1GiI-H, 8.1GXII-G



8.1GII-H, 8.1GXII-G

REF	PART NO.	QTY	DESCRIPTION	NOTES
1	3808517	1	Cylinder head	Starboard
	3808518	1	Cylinder head	Port
2	3861284	1	Cylinder head gasket	Starboard
	3861283	1	Cylinder head gasket	Port
3	3861253	8	Bolt	L=52mm
4	3861252	4	Bolt	L=86mm
5	3861251	24	Bolt	L=103mm
6	3859080	2	Valve cover	
7	3861287	2	• Gasket	
8	3861260	14	Bolt	
9	3861282	14	Gasket	
10	3818432	1	Lifting eye	Port
11	3840724	1	Lifting eye	Starboard
12	3863139	1	Screw	
13	982702	2	Flange screw	