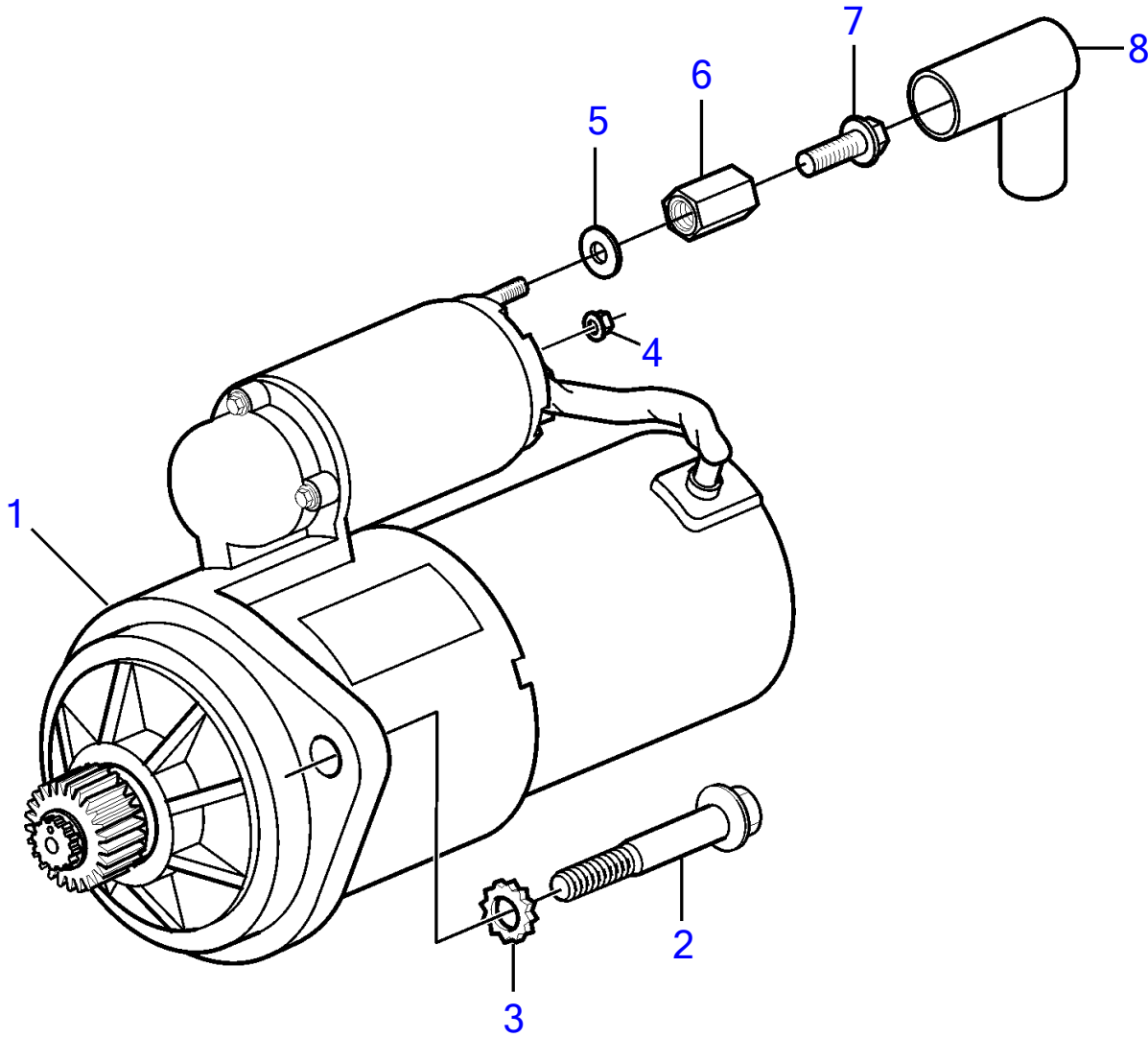


8.1GiI-H, 8.1GXII-G



8.1GII-H, 8.1GXII-G

REF	PART NO.	QTY	DESCRIPTION	NOTES
1	3862985	1	Starter motor	
	3803147	1	Starter motor, exch, exch	
2	(3853558)	2	Screw	Obsolete part
3	982679	2	Toothed washer	
4	949874	1	Flange lock nut	
5	(3852054)	1	Washer	Obsolete part
6	855314	1	Spacer nut	
7	947107	1	Flange screw	
8	855798	1	Protecting sleeve	