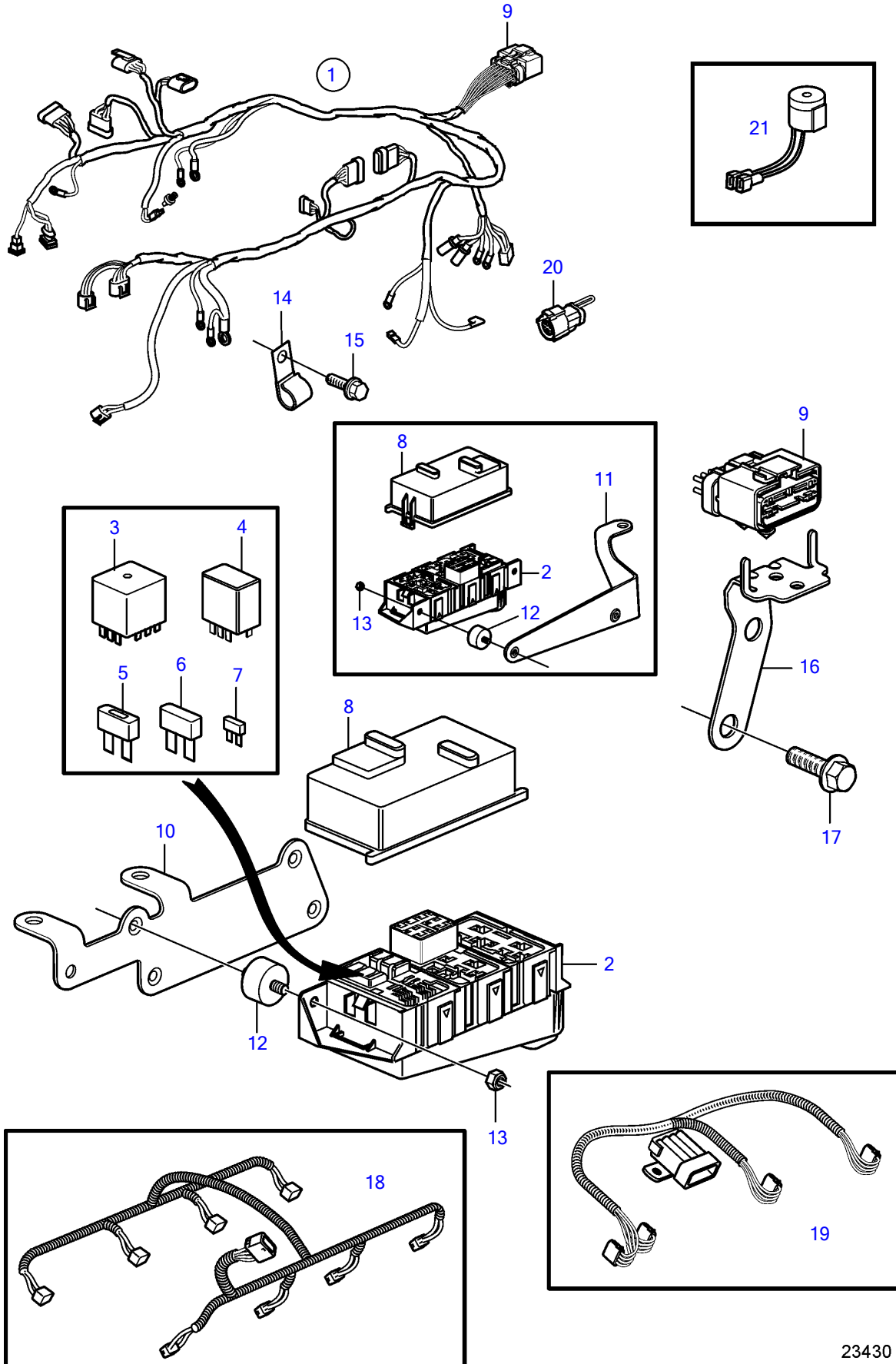


8.1GII-H, 8.1GXII-G



8.1GiI-H, 8.1GXII-G

REF	PART NO.	QTY	DESCRIPTION	NOTES
1	3884256	1	Wiring harness	
2		1	• Fuse box	not sold separately
3	3858809	1	• Relay	
4	3841366	2	• Relay	
5	3841369	1	• Fuse	50A
6	3841370	1	• Fuse	20A
	3841371	1	• Fuse	40A
7	3841373	1	• Fuse	5A
	3863403	1	• Fuse	7.5A
	3841372	1	• Fuse	10A
	3861373	1	• Fuse	15A
	3861374	1	• Fuse	20A
8		1	• Cover plate	not sold separately
9		1	• Connector, 14 pin	not sold separately
10	3843887	1	Bracket	
11	3819660	1	Bracket	Used on V-drives with freshwater cooling.
12	3840402	2	Mounting base	
13	3852118	2	Nut	
14	(3852146)	1	Clamp	Obsolete part, D=.375" (9.5mm)
	3852434	1	Clamp	D=.750" (19.0mm)
	3852490	1	Attaching clamp	D=1.44" (36mm)
15	946441	2	Flange screw	
16	3886663	1	Bracket	
17	946441	2	Flange screw	
18	3861297	1	Wiring harness, fuel injector	
19	3863052	2	Wiring harness, ignition	
20	3842396	1	Plug	For dual stations.
21	3817974	1	Alarm	Mounted at the helm.