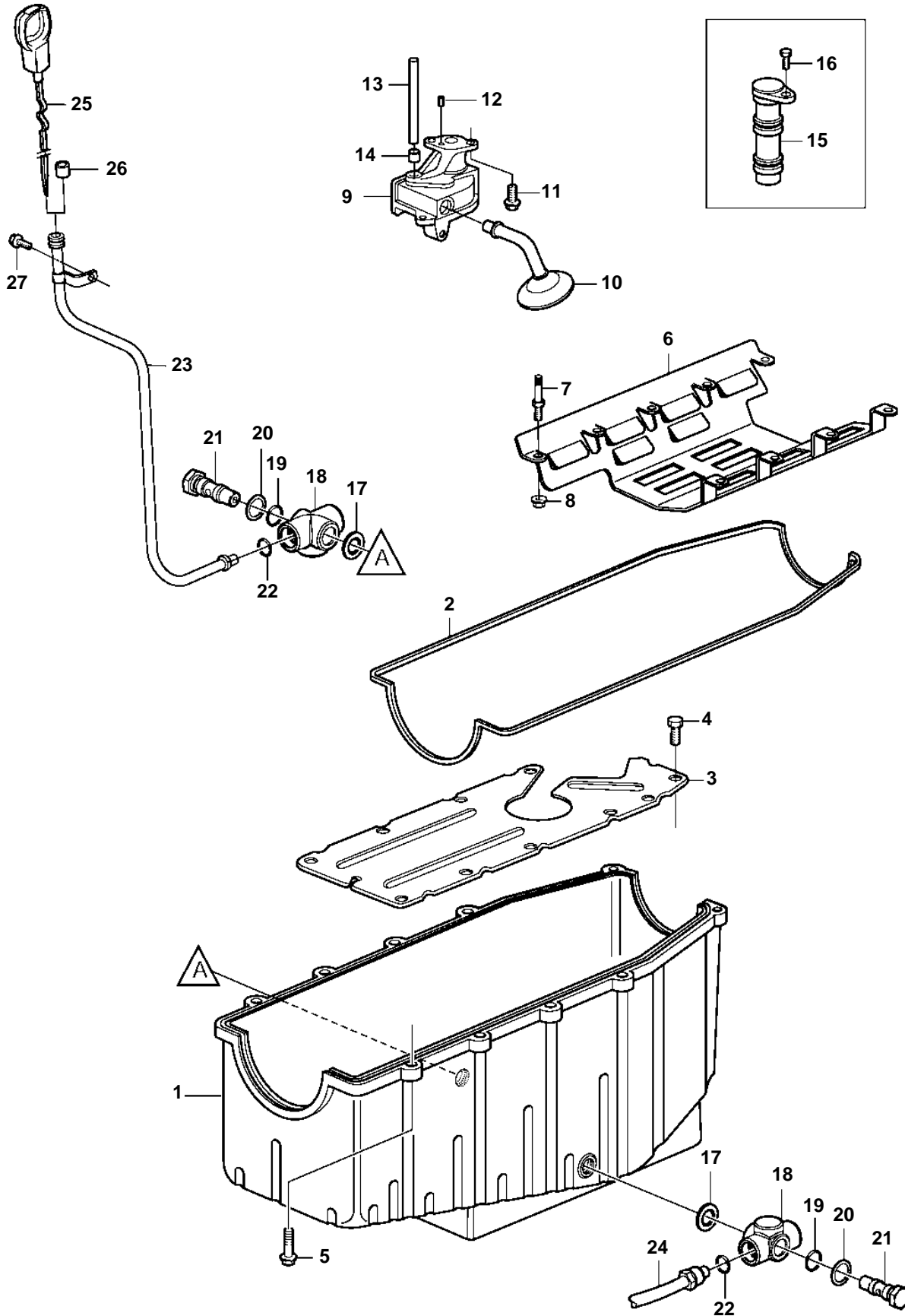


8.1GiI-G, 8.1GXil-F



8.1Giil-G, 8.1GXil-F

REF	PART NO.	QTY	DESCRIPTION	NOTES
1	3808521	1	Oil pan	
2	3861288	1	• Gasket	
3	3859079	1	• Baffle	
4	3859072	10	• Screw	
5	3861255	12	Screw	
6	3808520	1	Oil deflector	
7	3861331	10	Stud	
8	3861302	9	Nut	
9	3861305	1	Oil pump	
10		1	Oil pump screen	NOT SERVICED
11	3861259	1	Screw	
12	3855972	1	Pin	
13	3855976	1	Shaft	
14	3853199	1	Retainer	
15	3861276	1	Drive	
16	3861254	1	Screw	
17	3851981	2	Sealing washer	
18	3587783	2	Fitting	
19	3853674	2	O-ring	
20	3852007	2	Washer	
21	888958	2	Retainer	
22	3852033	2	O-ring	
23	3861608	1	Tube	STARBOARD
24	3812257	1	Tube	PORT
25	3862843	1	Oil dipstick	
26	3858536	1	Cap	
27	967949	1	Screw	