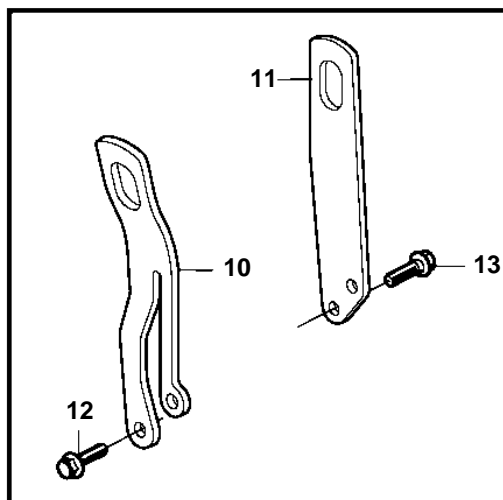
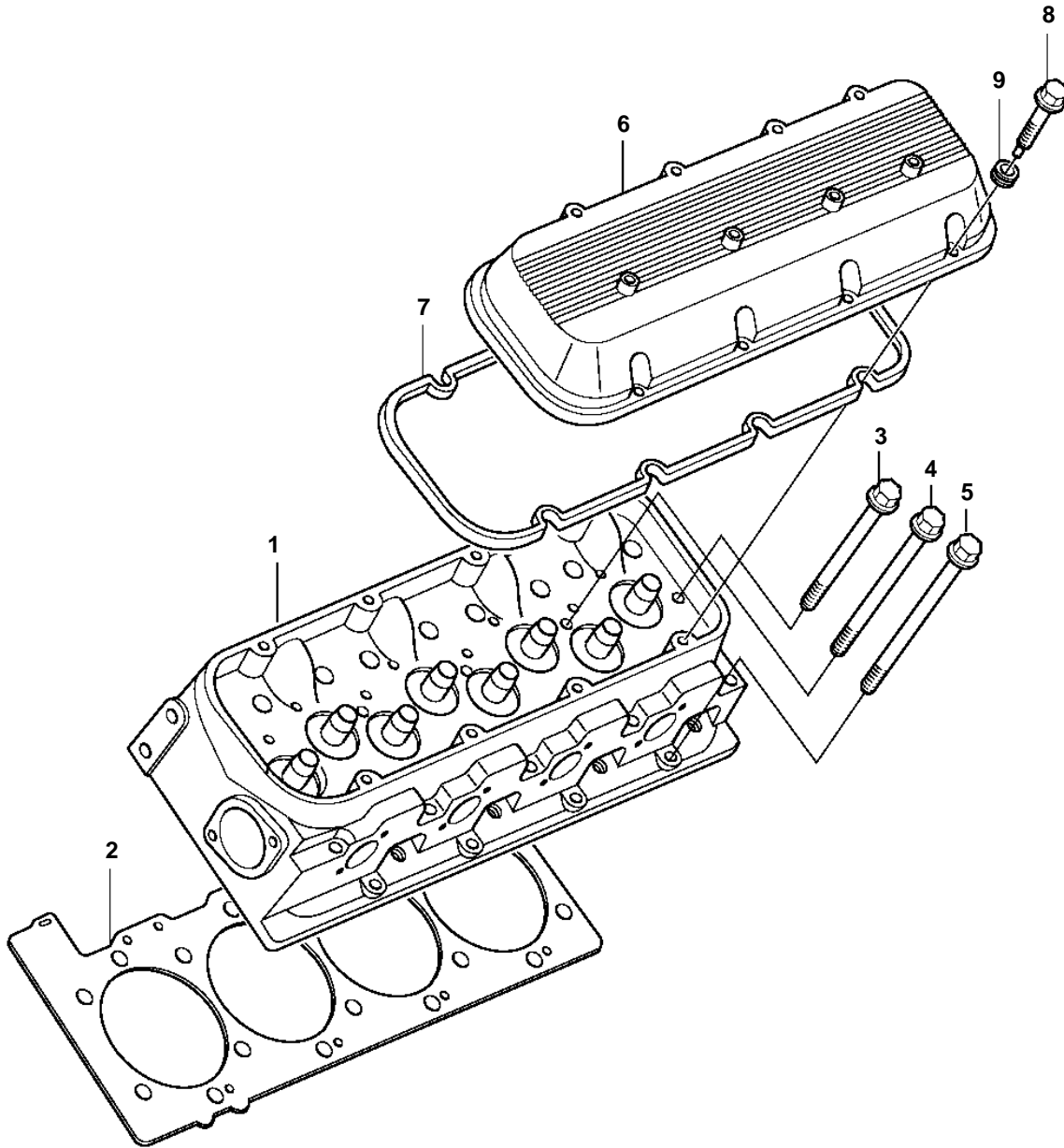


8.1GiI-G, 8.1GXil-F



8.1Giil-G, 8.1GXil-F

REF	PART NO.	QTY	DESCRIPTION	NOTES
1	3808517	1	Cylinder head	STARBOARD
	3808518	1	Cylinder head	PORT
2	3861284	1	Gasket	STARBOARD
	3861283	1	Gasket	PORT
3	3861253	8	Screw	L=52mm
4	3861252	4	Screw	L=86mm
5	3861251	24	Screw	L=103mm
6	3859080	2	Valve cover	
7	3861287	2	Gasket	
8	3861260	14	Screw	
9	3861282	14	Gasket	
10	3818432	1	Bracket	PORT
11	3840724	1	Bracket	STARBOARD
12	3863139	1	Flange screw	
13	982702	2	Flange screw	