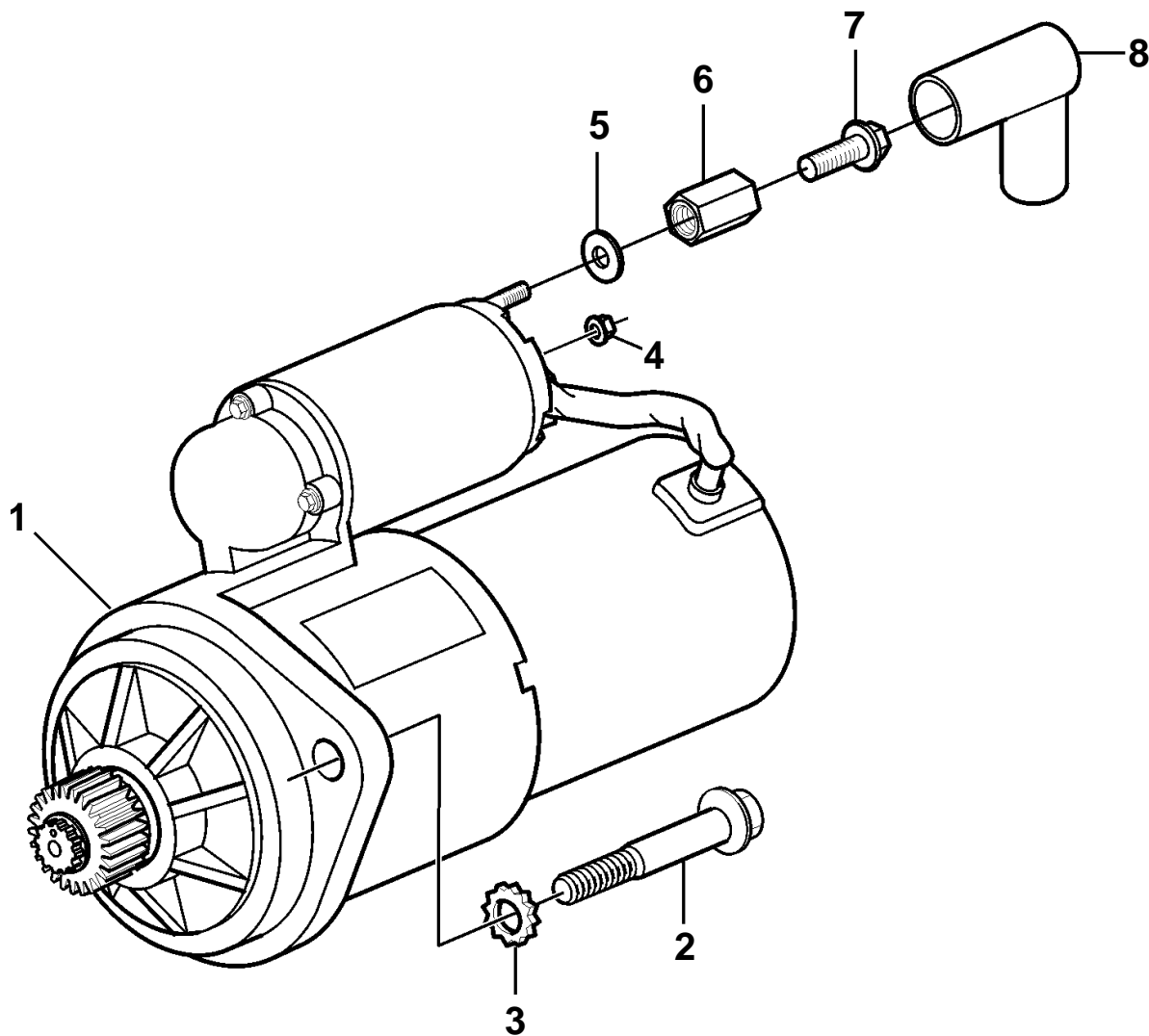


8.1GiI-G, 8.1GXil-F



8.1Gil-G, 8.1GXil-F

REF	PART NO.	QTY	DESCRIPTION	NOTES
1	3862985	1	Starter motor	
	3803147	1	Starter motor, exch	Exchange unit
2	3853558	2	Flange screw	
3	982679	2	Lock washer	
4	949874	1	Lock nut	
5	3852054	1	Washer	
6	855314	1	Nut	
7	947107	1	Flange screw	
8	855798	1	Protecting sleeve	