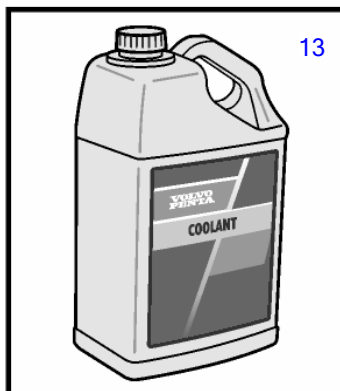
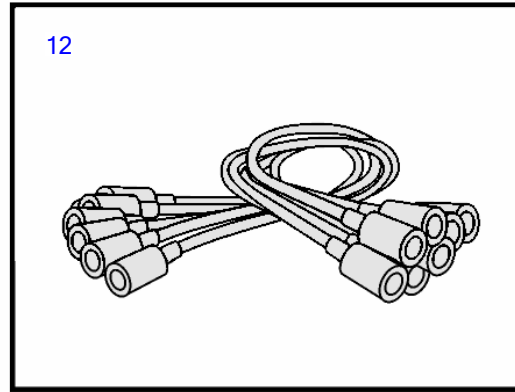
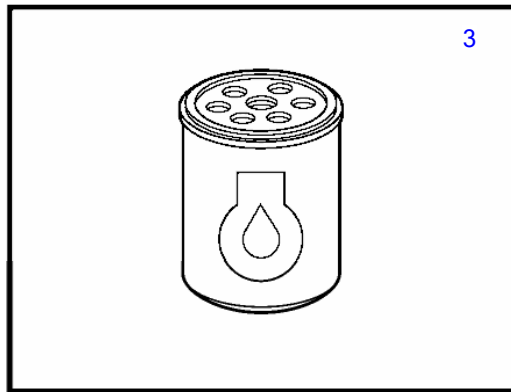
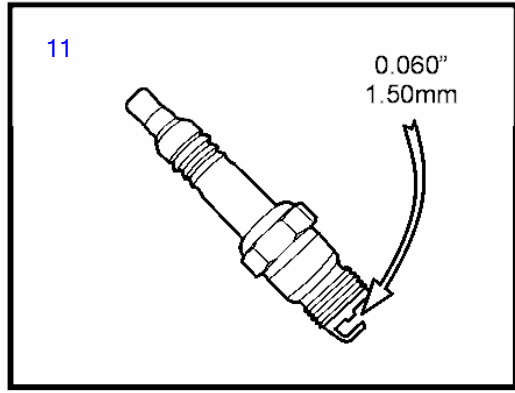
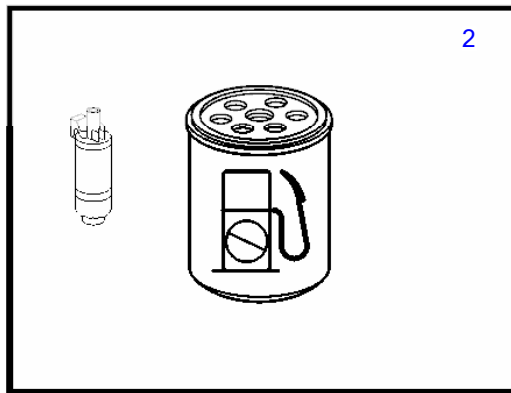
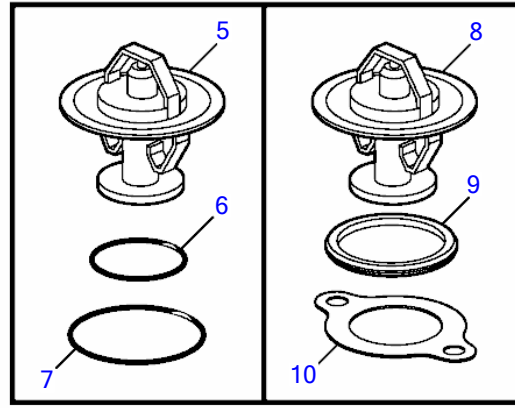
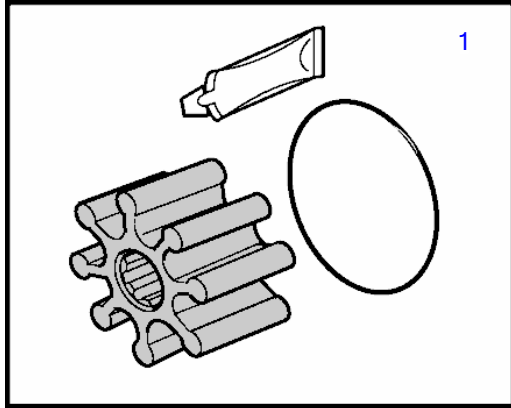


8.1Gi-H, 8.1Gi-HF, 8.1GXi-G, 8.1GXi-GF, 8.1OSi-D, 8.1OSi-DF



25148

## 8.1Gi-H, 8.1Gi-HF, 8.1GXi-G, 8.1GXi-GF, 8.1OSi-D, 8.1OSi-DF

REF	PART NO.	QTY	DESCRIPTION	SEE SEC.	NOTES
1	21213664	1	Impeller kit		
2	3847644	1	Fuel filter, fuel		Higher capacity
			• Bulletin P-23-3-4	P-23-3-4-EN	High Capacity Fuel Filter, Gas
			• Bulletin p-18-8-1	p-18-8-1-EN	Volvo Penta Ethanol Fuel treatment
2	3862228	1	Fuel filter		
			• Bulletin P-23-3-4	P-23-3-4-EN	High Capacity Fuel Filter, Gas
			• Bulletin p-18-8-1	p-18-8-1-EN	Volvo Penta Ethanol Fuel treatment
3	835440	1	Oil filter		
			• Bulletin P-21-7-1	P-21-7-1-EN	Oil Filters, GM gas engines
4		9	Oil		Fill level is determined by dipstick
		X			USA
	21681794	9	Oil		Synthetic, quart
	21681795	3	Oil		Synthetic, gallon
	21681796	1	Oil		Synthetic, 5 gal
	21681797	1	Oil		Synthetic, 55 gal
	3847302	9	Oil		Mineral, quart
	3847303	3	Oil		Mineral, gallon
	3847304	1	Oil		Mineral, 5 gal
	3847305	1	Oil		Mineral, 55 gal
		X	Oil		Europe and other markets
	3840002	9	Oil		Mineral, 1L
			• Bulletin P-18-3-1	P-18-3-1-EN	Introduction of VDS-3 SAE15W-40 Diesel Engine Oil
			• Bulletin P-18-3-6	P-18-3-6-EN	Gas Engine Oils Replaced
			• Bulletin P-18-3-9	P-18-3-9-EN	Engine Oil Upgraded
4	3840003	3	Oil		Mineral, 4L
			• Bulletin P-18-3-1	P-18-3-1-EN	Introduction of VDS-3 SAE15W-40 Diesel Engine Oil
			• Bulletin P-18-3-9	P-18-3-9-EN	Engine Oil Upgraded
4	3840004	1	Oil		Mineral, 20L
			• Bulletin P-18-3-1	P-18-3-1-EN	Introduction of VDS-3 SAE15W-40 Diesel Engine Oil
			• Bulletin P-18-3-9	P-18-3-9-EN	Engine Oil Upgraded
4	3840005	1	Oil		Mineral, 208L, barrel
			• Bulletin P-18-3-1	P-18-3-1-EN	Introduction of VDS-3 SAE15W-40 Diesel Engine Oil
			• Bulletin P-18-3-9	P-18-3-9-EN	Engine Oil Upgraded
5	3853983	1	Thermostat		For seawater cooled engine
			• Bulletin P-26-2-1	P-26-2-1-EN	Thermostat. 8.1L
6	3852071	1	O-ring		
7	3861000	1	O-ring		
8	3831426	1	Thermostat kit		For freshwater cooled engine
9	416033	1	• Sealing ring		
10	3852111	1	Gasket		
11	3861326	2	Spark plug kit		
12	3861295	1	Ignition cable kit		
13	1141674	1	Coolant, green		5L, ready-mixed
			• Bulletin P-18-4-4	P-18-4-4-EN	Coolant Recommendations for Gas Engines
			• Bulletin P-18-4-7	P-18-4-7-EN	Coolant P/Ns Changed, US Only
			• Bulletin P-18-4-3-02	P-18-4-3-02-EN	Important Information about Volvo Penta Coolant
13	21646481	1	Coolant, green		210L, ready-mixed
			• Bulletin P-18-4-3-02	P-18-4-3-02-EN	Important Information about Volvo Penta Coolant
13	1141647	1	Coolant, green		210L, full strength
			• Bulletin P-18-4-3-02	P-18-4-3-02-EN	Important Information about Volvo Penta Coolant

7746220-20-36053

25148

Upd:2014-06-20