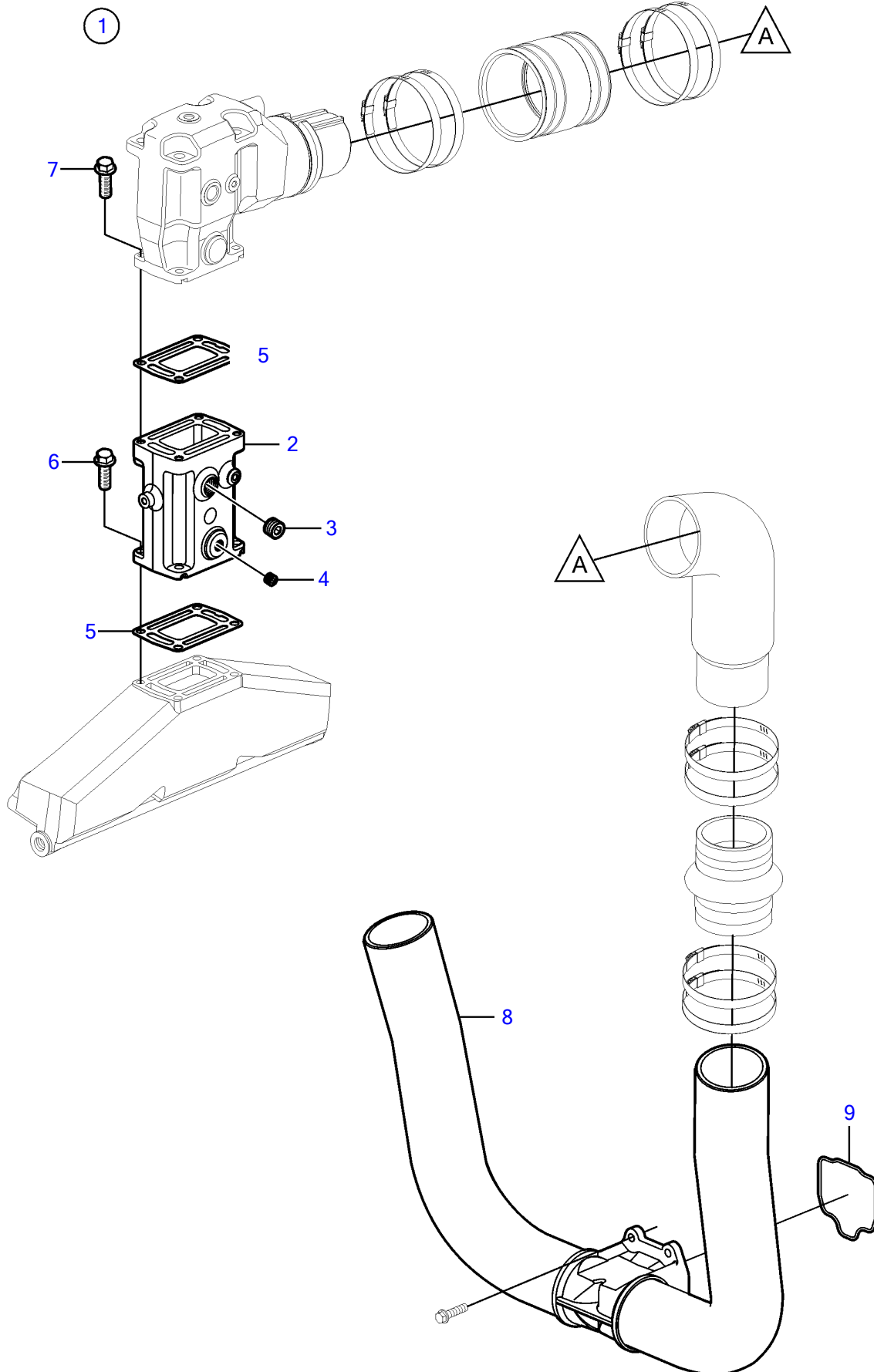


8.10Si-D, 8.10Si-DF



22016

8.10Si-D, 8.10Si-DF

REF	PART NO.	QTY	DESCRIPTION	SEE SEC.	NOTES
1	3840961	1	Kit		
2	3842853	2	• Exhaust pipe extensi		
			• Bulletin P-25-1-4	P-25-1-4-EN	Tall Riser Options
3	3850999	4	• • Plug		
4	3850740	4	• • Plug		
5	3863191	2	• Kit		
		4	• • Gasket		
6	3860582	8	• Flange screw		
7	3860582	6	• Flange screw		L=32mm
	3853547	2	• Flange screw		L=51mm
8	3841317	1	• Pipe		
9	3587651	1	Kit		
			• Bulletin P-25-2-2	P-25-2-2-EN	Y-pipe seal, gas engines