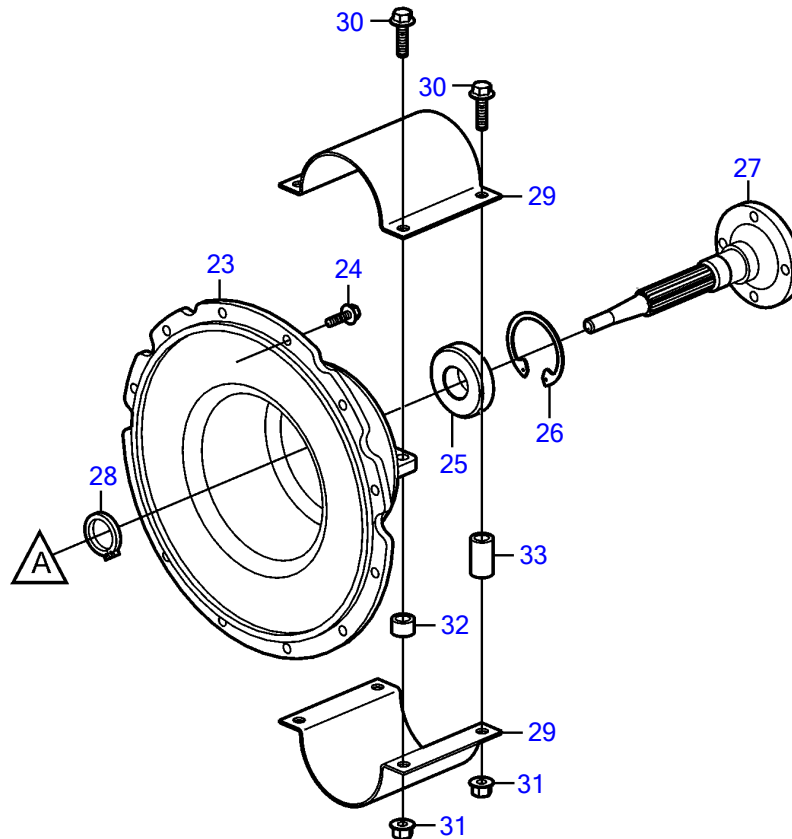
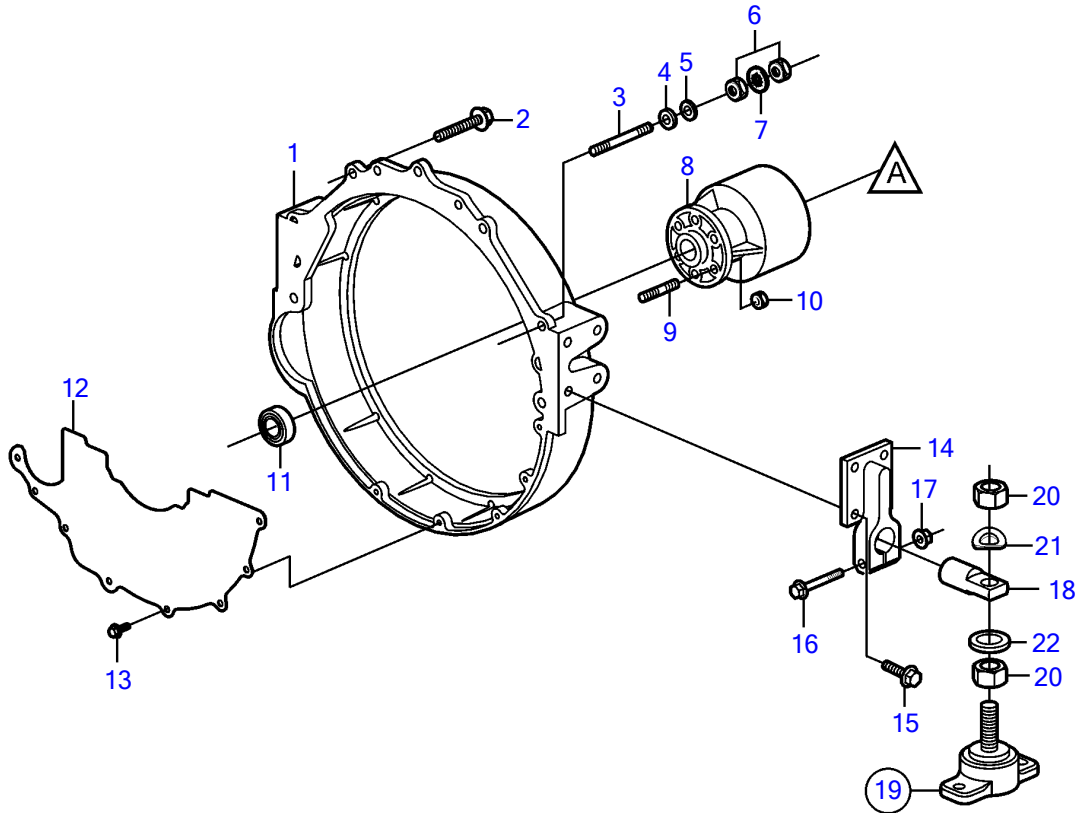


8.1Gi-H, 8.1Gi-HF, 8.1GXi-G, 8.1GXi-GF, 8.1OSi-D, 8.1OSi-DF



8.1Gi-H, 8.1Gi-HF, 8.1GXi-G, 8.1GXi-GF, 8.1OSi-D, 8.1OSi-DF

| REF | PART NO. | QTY | DESCRIPTION | NOTES |
|-----|----------|-----|------------------|-----------------------|
| 1 | 3851722 | 1 | Flywheel housing | |
| 2 | 947790 | 4 | Flange screw | |
| 3 | 3862493 | 2 | Stud | |
| 4 | 980933 | 2 | Washer | |
| 5 | 3852046 | 2 | Spring washer | |
| | 982475 | 2 | Spring washer | |
| 6 | 971074 | 6 | Hexagon nut | |
| 7 | 982679 | 4 | Toothed washer | |
| 8 | 3853962 | 1 | Rubber coupling | |
| 9 | 3861383 | 6 | Stud | |
| 10 | 3853273 | 6 | Nut | |
| 11 | 3858846 | 1 | Bearing | |
| 12 | 3854604 | 1 | Cover | |
| 13 | 3852421 | 6 | Screw | |
| 14 | | 2 | Bracket | part not sold |
| 15 | 965187 | 8 | Flange screw | |
| 16 | 965222 | 2 | Flange screw | |
| 17 | 971098 | 2 | Flange lock nut | |
| 18 | | 2 | Stub axle | part not sold |
| 19 | 3807621 | 2 | Anchorage | |
| 20 | (955860) | 4 | • Hexagon nut | Obsolete part |
| 21 | 941914 | 2 | Spring washer | Obsolete part |
| 22 | 955902 | 2 | Washer | |
| 23 | 3851727 | 1 | Bearing housing | |
| 24 | 946752 | 11 | Flange screw | |
| 25 | 181877 | 1 | Ball bearing | |
| 26 | 914540 | 1 | Snap ring | |
| 27 | 3851724 | 1 | Adapter kit | |
| 28 | 914465 | 1 | Snap ring | |
| 29 | | 2 | Cover | part not sold |
| 30 | 948039 | 4 | Flange screw | L=65mm |
| 31 | 977938 | 4 | Flange lock nut | |
| 32 | 983740 | 8 | Spacer sleeve | L=10mm |
| 33 | (983741) | 4 | Spacer sleeve | Obsolete part, L=33mm |

7746220-21-7053

20286

Upd:2014-06-20

8.1Gi-H, 8.1Gi-HF, 8.1GXi-G, 8.1GXi-GF, 8.1OSi-D, 8.1OSi-DF