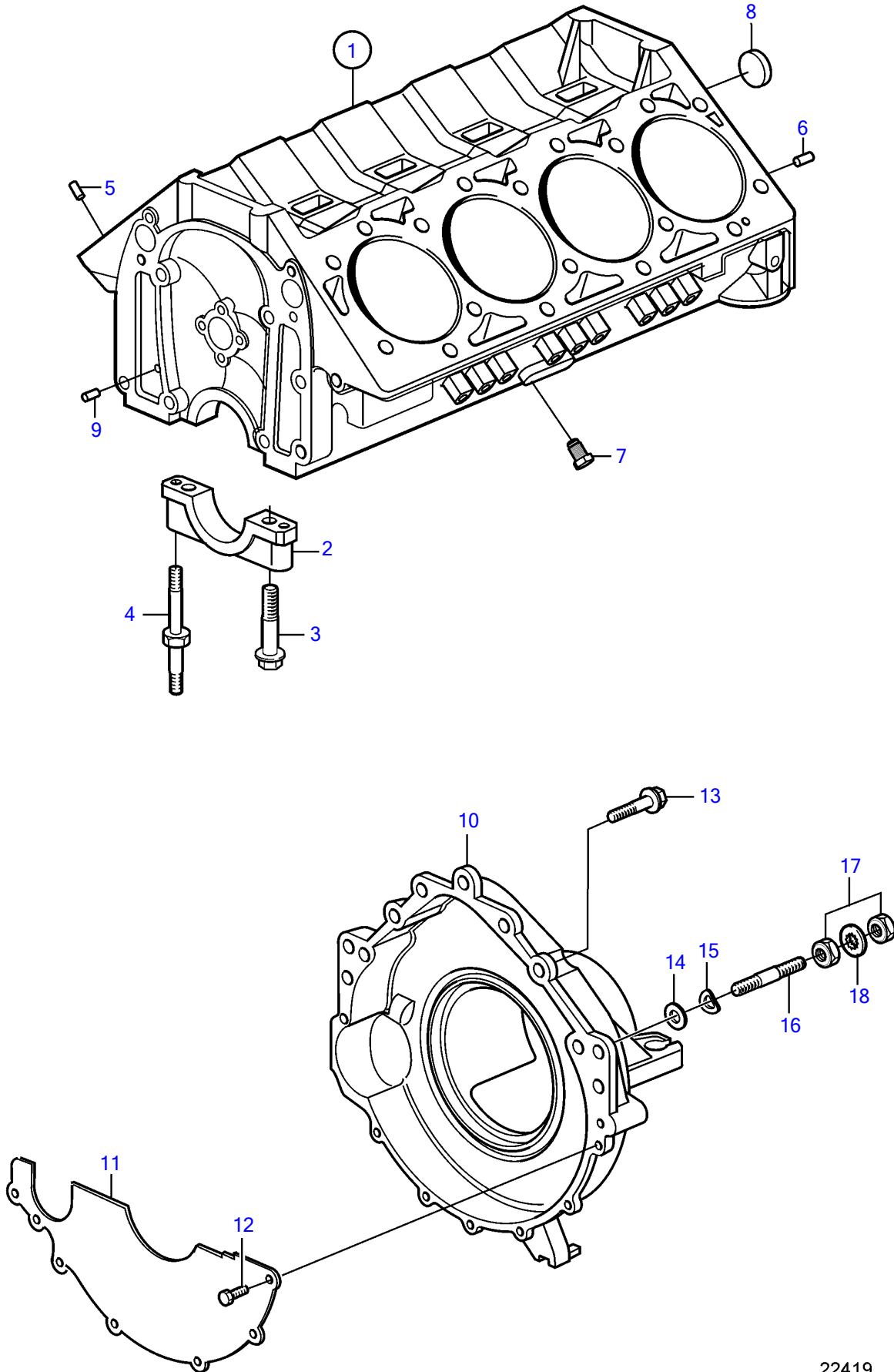


8.10Si-D, 8.10Si-DF



8.10Si-D, 8.10Si-DF

REF	PART NO.	QTY	DESCRIPTION	NOTES
1		1	Cylinder block	
2		5	• Bearing cap	
3	3861256	10	Bolt	
4	3861331	10	Stud	
5	3861306	4	Locating pin	
6	3856001	2	Pin	
7	3861669	2	Plug	
8	3853348	1	Core plug	
9	3855972	2	Pin	
10	3808573	1	Flywheel housing	
11	3854604	1	Cover	
12	3852421	4	Screw	
13	982702	1	Flange screw	L=25mm
	3863139	1	Screw	L=35mm
	965222	2	Flange screw	L=65mm
14	980933	2	Washer	
15	982475	2	Spring washer	
16	982676	2	Stud	
17	971074	6	Hexagon nut	
18	982679	4	Toothed washer	