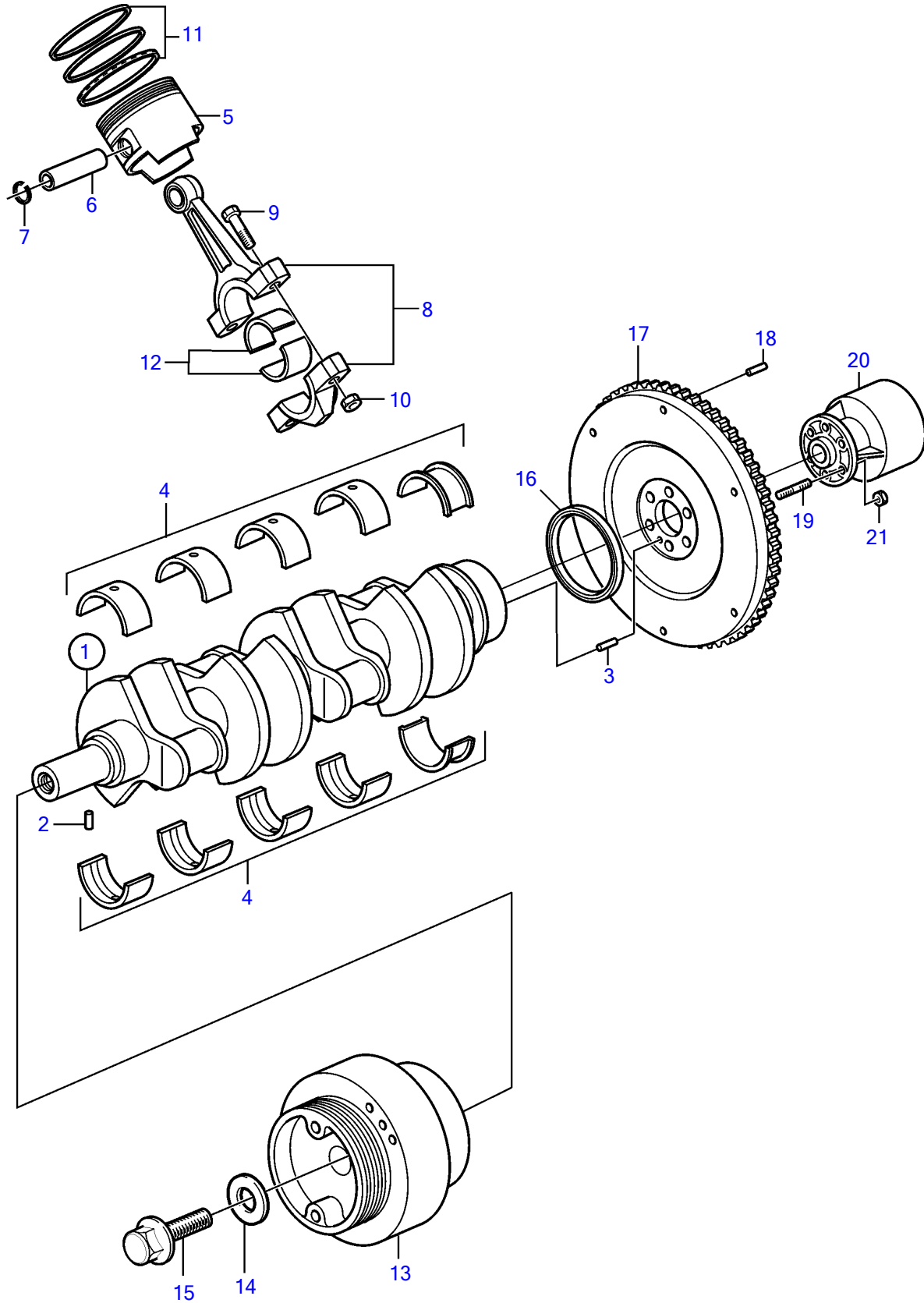


8.1GXi-G, 8.1GXi-GF



8.1GXi-G, 8.1GXi-GF

| REF | PART NO. | QTY | DESCRIPTION | SEE SEC. | NOTES |
|-----|------------|-----|------------------------|-------------|--------------------------------------|
| 1 | 3808530 | 1 | Crankshaft | | |
| 2 | 3861307 | 1 | • Locating pin | | |
| 3 | 3861303 | 1 | • Pin | | |
| 4 | 3861236 | 1 | Main bearing kit | | |
| 5 | 3808523 | 4 | Piston kit | | Standard, Starboard |
| | | | • Bulletin P-21-6-5 | P-21-6-5-EN | Pistons and Connecting Rods, 8.1L |
| 5 | 3808525 | 4 | Piston kit | | Standard, Port |
| | (3808526) | 1 | Piston kit | | Obsolete part, O.S=0.030", Starboard |
| | (3808527) | 1 | Piston kit | | Obsolete part, O.S=0.030", Port |
| 6 | | 8 | • Piston pin, floating | | not sold separately |
| 7 | (3818500) | 8 | • Retainer | | Obsolete part |
| 8 | (21166941) | 8 | • Connecting rod | | Obsolete part |
| 9 | (3859076) | 16 | • Bolt | | Obsolete part, not sold separately |
| 10 | 3859077 | 16 | • Nut | | |
| 11 | 3861311 | 8 | • Piston ring kit | | Standard |
| | (3861312) | 1 | Piston ring | | Obsolete part, O.S=0.030" |
| 12 | 3861233 | 8 | Bearing kit | | |
| 13 | 3861249 | 1 | Absorber | | |
| 14 | 3861340 | 1 | Washer | | |
| 15 | 3861264 | 1 | Bolt | | |
| 16 | 3861318 | 1 | Sealing | | |
| 17 | 3861277 | 1 | Flywheel | | |
| 18 | 3861303 | 2 | • Pin | | |
| 19 | 3861383 | 6 | Stud | | |
| 20 | 3853962 | 1 | Rubber coupling | | |
| 21 | 3853273 | 6 | Nut | | |