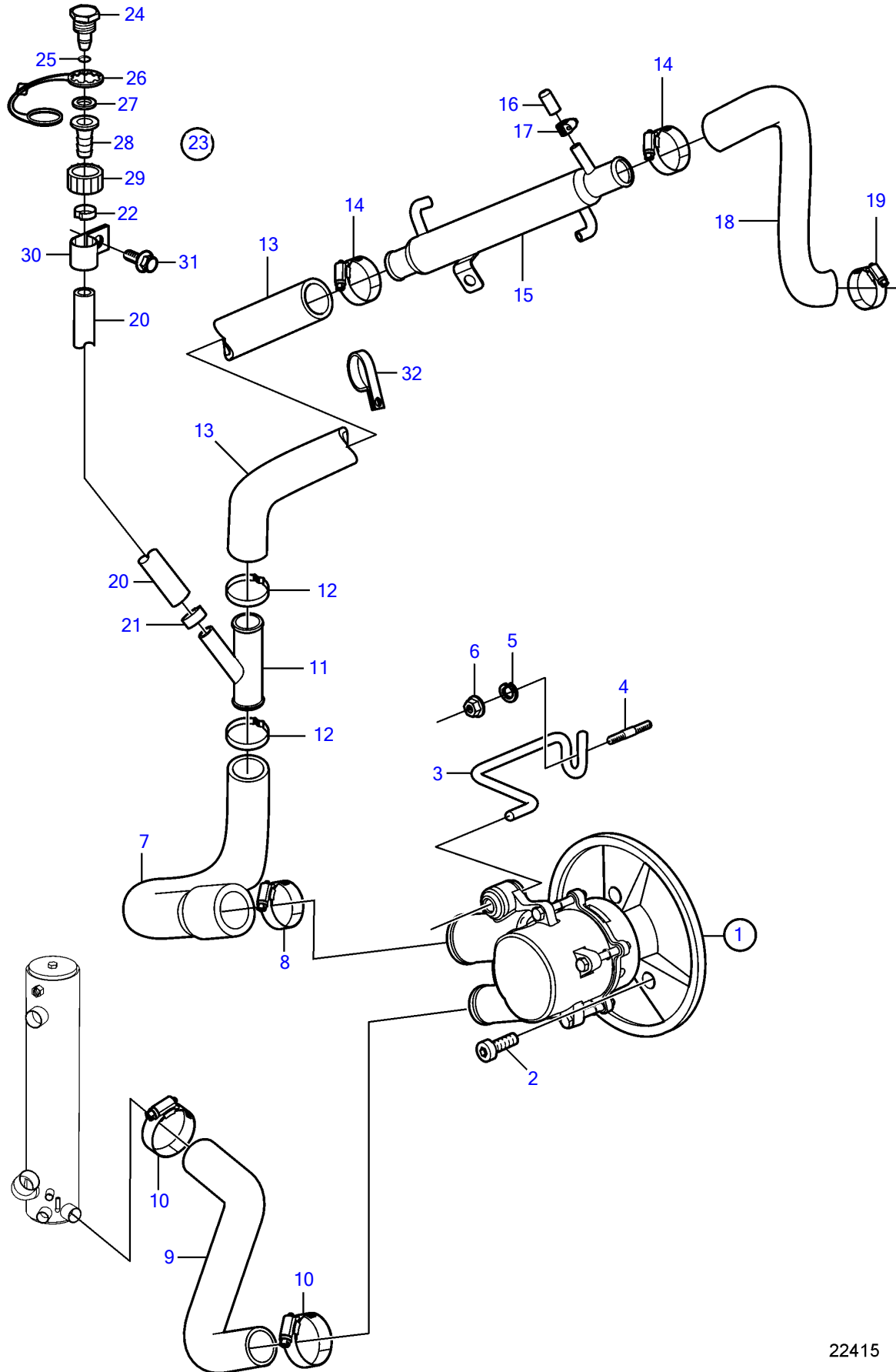


8.10Si-DF



22415

8.10Si-DF

REF	PART NO.	QTY	DESCRIPTION	NOTES
1	3812518	1	Pump	replaced by next part number
	21212800	1	Pump	
	3842786	1	• Impeller kit	Replaced by 21213664, See "Seawater Pump Parts"
2	959240	3	Hex. socket screw	
3	3817812	1	Bracket	
4	983613	1	Stud	
5	3852046	1	Spring washer	
6	971095	1	Flange nut	
7	3817824	1	Hose	
8	3863440	1	Hose clamp	
9	3817820	1	Hose	
10	3863440	2	Hose clamp	
11	3862699	1	T-pipe	
12	982645	2	Clamp	
13	3862692	1	Hose	
14	3863444	2	Hose clamp	
15		1	Oil cooler, steering	
16	3856766	1	Cardboard tube	
17	3860413	1	Hose clamp	
18	3861567	1	Hose	
19	3863444	1	Hose clamp	
20	3857823	1	Hose	
21	983168	1	Hose clamp	
22	983146	1	Clamp	
23	3807440	1	Connector	
24		1	• Cap	
25	942978	1	• O-ring	
26	3862082	1	• Retainer	
27	3807664	1	• Washer	
28		1	• Connector	
29		1	• Connector	
30	3862891	1	Attaching clamp	
31	982702	1	Flange screw	
32	3853312	1	Clamp, loop	