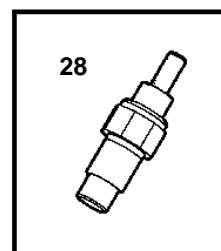
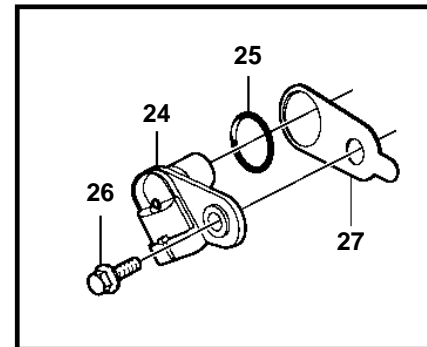
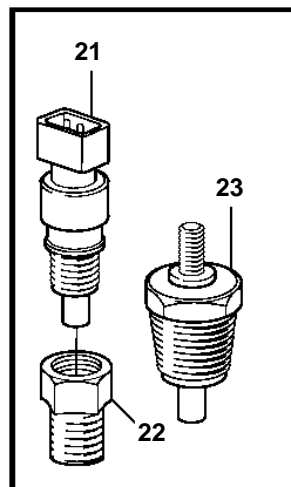
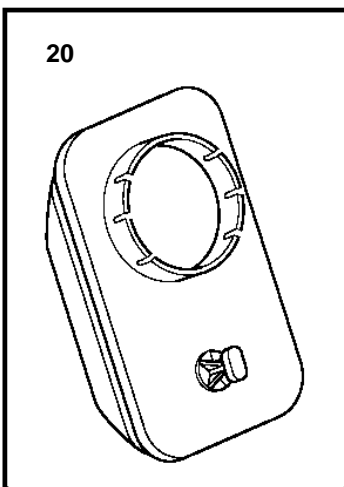
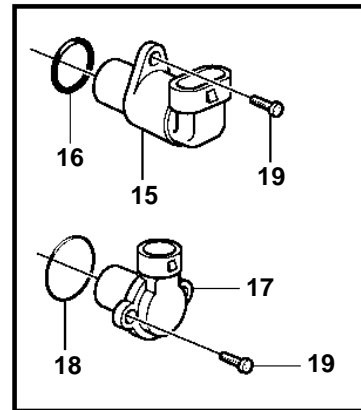
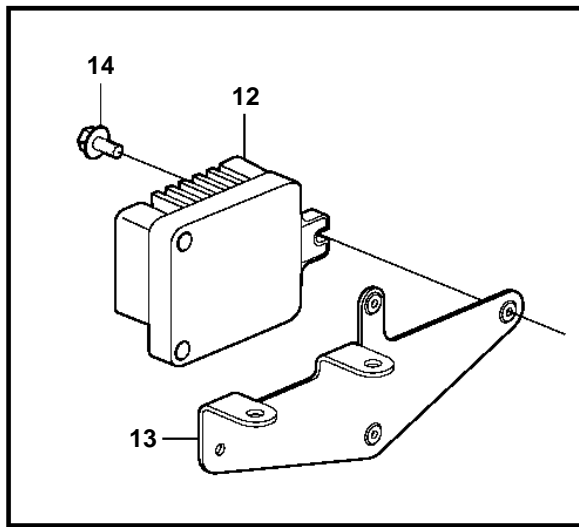
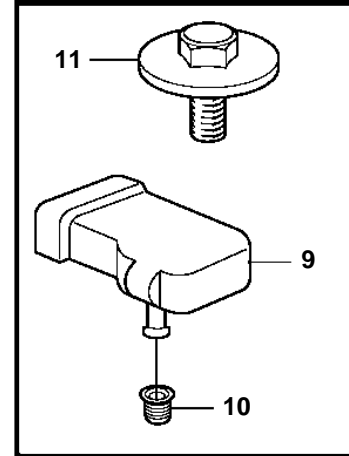
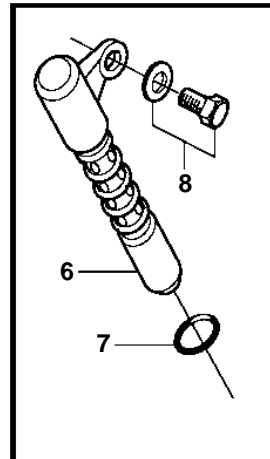
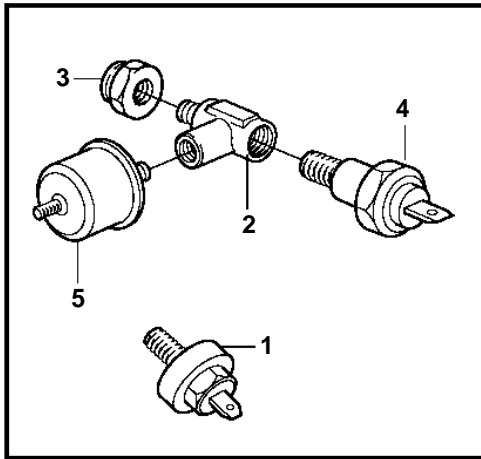


8.1Gi-F, 8.1Gi-FF, 8.1OSi-B, 8.1OSi-BF



20928

## 8.1Gi-F, 8.1Gi-FF, 8.1OSi-B, 8.1OSi-BF

REF	PART NO.	QTY	DESCRIPTION	NOTES
1	3861301	2	Knock sensor	
2	3852610	1	T-nipple	
3	3852465	1	Bushing	
4	3852215	1	Switch, oil pressure	
5	3857532	1	Sender, oil pressure	
	872064	X	Sender, oil pressure	DUAL STATION
6	3808516	1	Sensor, crankshaft position	
7		1	· O-ring	NOT SERVICED
8	3861262	1	Screw	
9	3861321	1	Sensor, MAP	
10	3858988	1	· Seal	
11	3861240	1	Screw	
12	3863340	1	Ecu	
13	3862836	1	Bracket	
14	3856742	3	Screw	
15	3857696	1	lac valve	
16	3858054	1	O-ring	
17	3857487	1	Sensor, throttle position	
18		1	· Seal	NOT SERVICED
19	3857693	1	Screw kit	
20	3861345	1	Flame arrestor	
		1	· SensorMAT	
21	3850397	1	Switch, coolant water temp.	
22	3863250	1	Bushing	
23	3852029	1	Sender, temperature	
	872068	X	Sender, temperature	DUAL STATION
24	3808513	1	Sensor, camshaft position	
25		1	· O-ring	NOT SERVICED
26		1	Screw	
27		1	Spacer	NOT SERVICED
28	3862500	2	Temperature sensor	