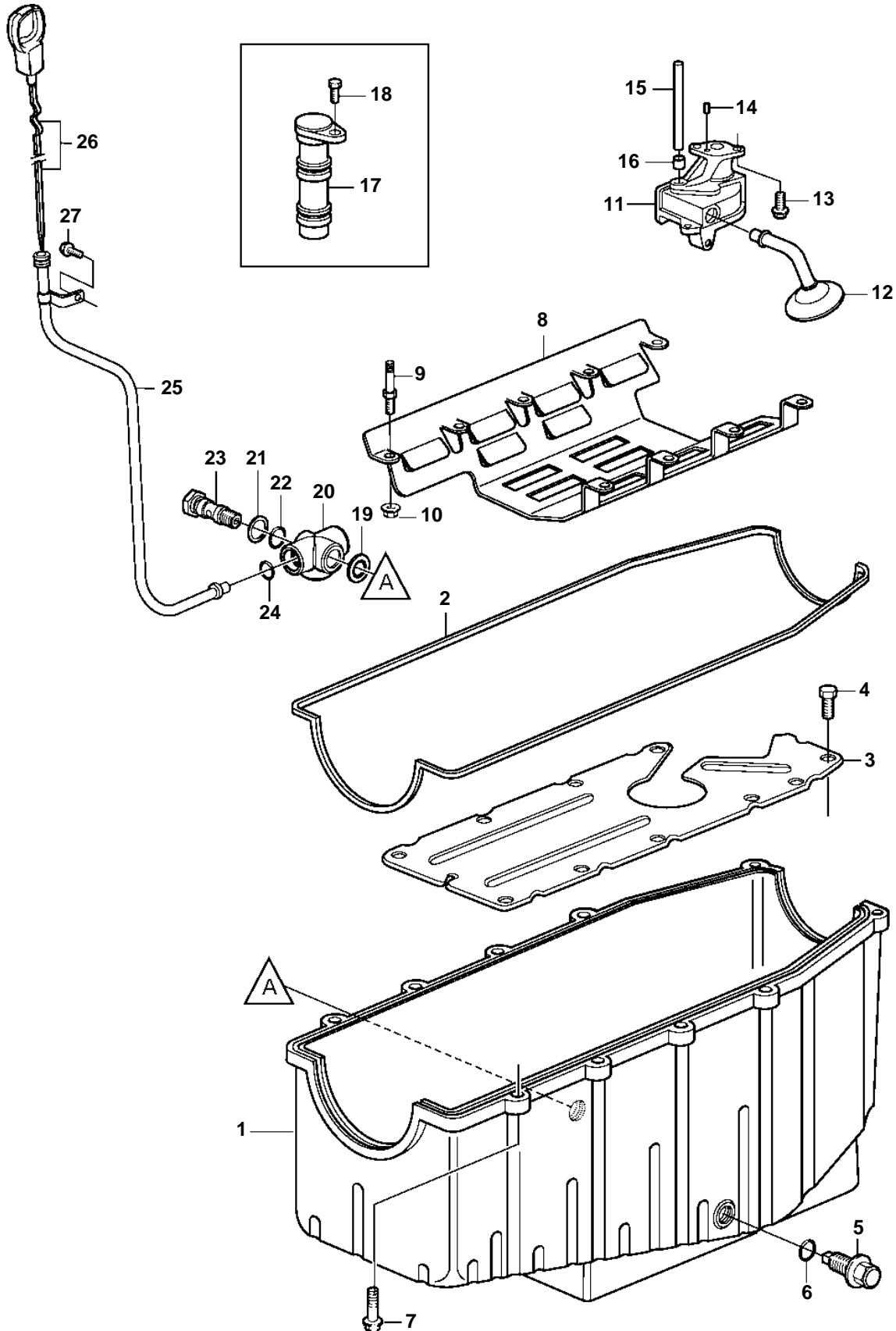


8.1Gi-F, 8.1Gi-FF, 8.1GXi-E, 8.1GXi-EF, 8.1OSi-B, 8.1OSi-BF



8.1Gi-F, 8.1Gi-FF, 8.1GXi-E, 8.1GXi-EF, 8.1OSi-B, 8.1OSi-BF

REF	PART NO.	QTY	DESCRIPTION	NOTES
1	3808521	1	Oil pan	
2	3861288	1	· Gasket	
3		1	· Baffle	
4		10	· Screw	
5	3861380	1	· Plug	
6	3861379	1	· · O-ring	
7	3861255	12	Screw	
8	3808520	1	Oil deflector	
9	3861331	10	Stud	
10	3861302	9	Nut	
11	3861305	1	Oil pump	
12		1	Oil pump screen	NOT SERVICED
13	3861259	1	Screw	
14	3855972	1	Pin	
15	3855976	1	Shaft	
16	3853199	1	Retainer	
17	3861276	1	Drive	
18	3861254	1	Screw	
19	3851981	1	Sealing washer	
20	3587783	1	Fitting	
21	3852007	1	Washer	
22	3853674	1	O-ring	
23	888958	1	Retainer	
24	3852033	1	O-ring	
25	3860963	1	Tube	
26	3862843	1	Oil dipstick	
27	967949	1	Screw	