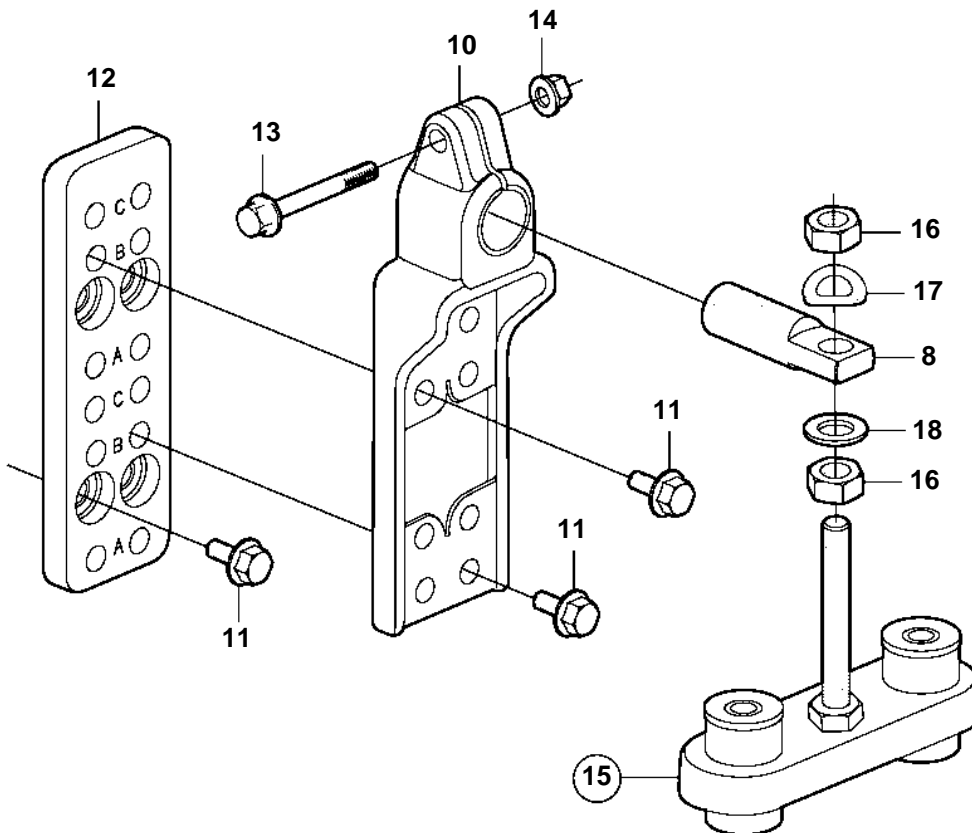
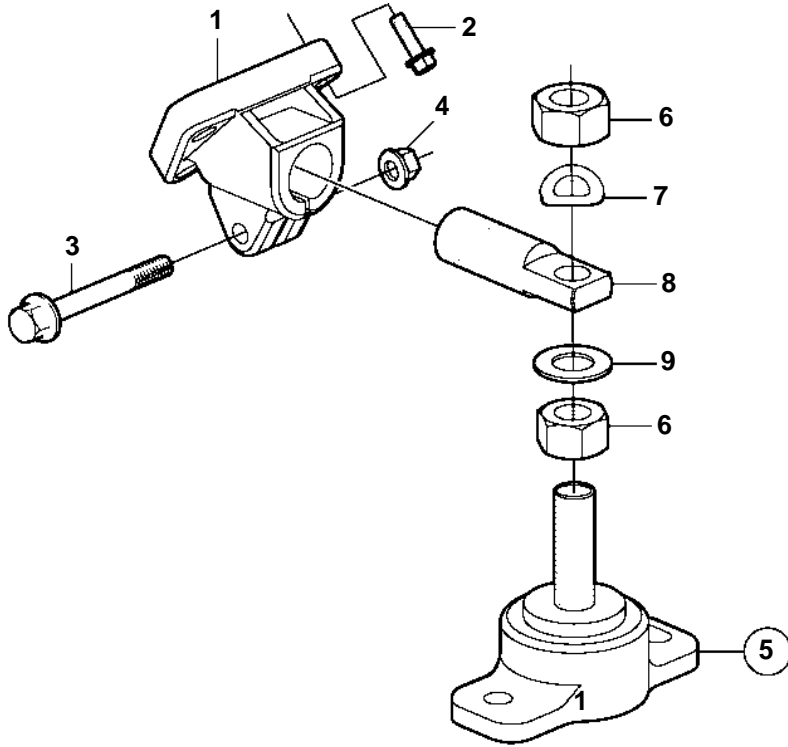


8.1GiI-F, 8.1GXil-E



20917

8.1GiI-F, 8.1GXil-E

REF	PART NO.	QTY	DESCRIPTION
1	3843705	2	Bracket
2	3863139	6	Flange screw
3	3855595	2	Screw
4	946175	2	Nut
5	857251	2	Rubber cushion
6	955860	4	· Nut
7	941914	2	Spring washer
8	3863365	4	Pin
9	3857588	2	Washer
10		2	Bracket
11	965191	16	Screw
12		2	Bracket
13	3855595	2	Screw
14	946175	2	Nut
15	3808466	2	Mounting kit
16	955860	4	· Nut
17	941914	2	· Spring washer
18	3857588	2	· Washer