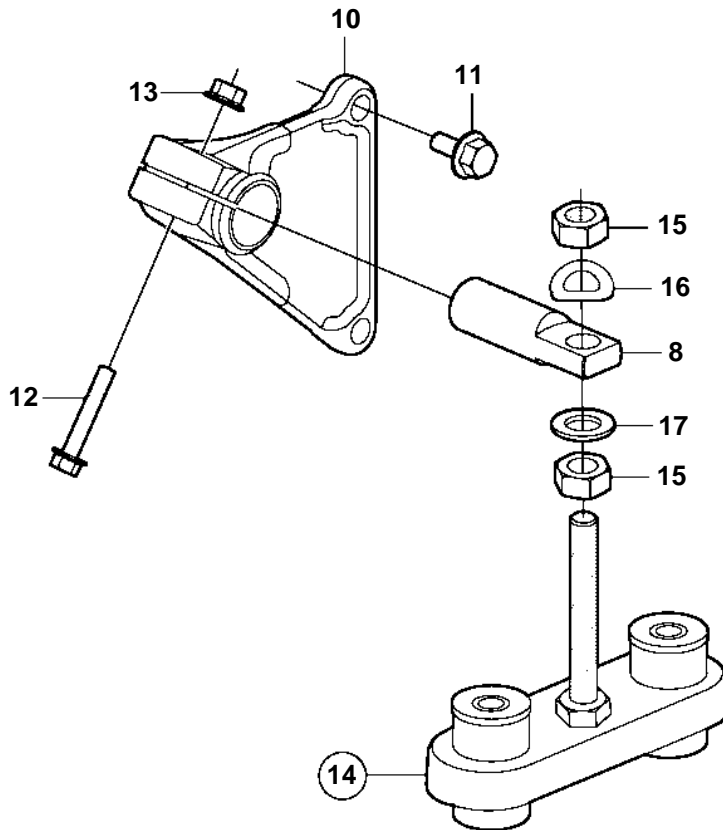
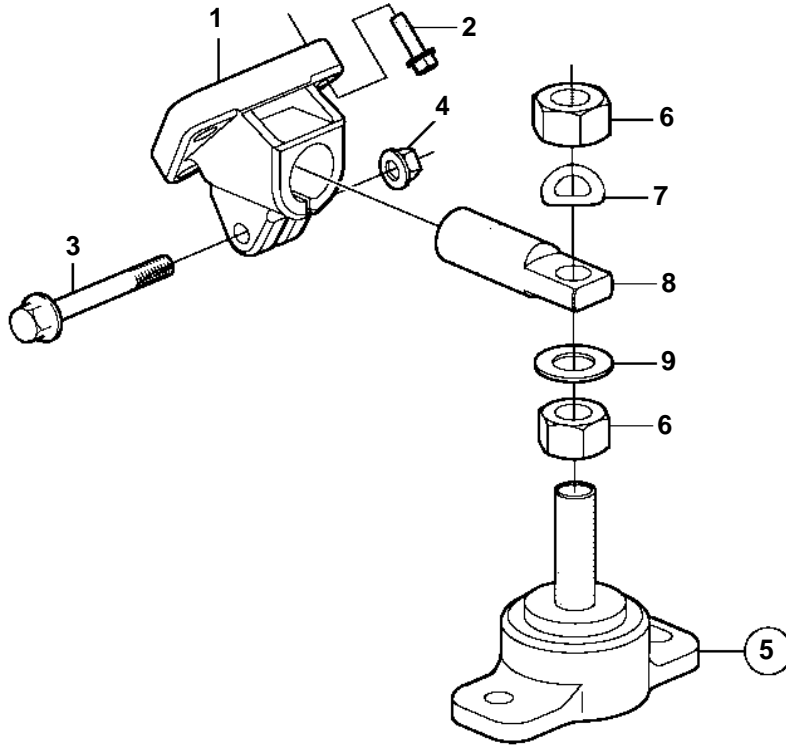


8.1GiI-F, 8.1GXil-E



20932

8.1GiI-F, 8.1GXil-E

| REF | PART NO. | QTY | DESCRIPTION      |
|-----|----------|-----|------------------|
| 1   | 3843075  | 2   | Companion flange |
| 2   | 3863139  | 6   | Flange screw     |
| 3   | 3855595  | 2   | Screw            |
| 4   | 946175   | 2   | Nut              |
| 5   | 857251   | 2   | Rubber cushion   |
| 6   | 955860   | 4   | • Nut            |
| 7   | 941914   | 2   | Spring washer    |
| 8   | 3863365  | 4   | Pin              |
| 9   | 3857588  | 2   | Washer           |
| 10  |          | 2   | Bracket          |
| 11  | 965191   | 4   | Screw            |
| 12  | 3855595  | 2   | Screw            |
| 13  | 946175   | 2   | Nut              |
| 14  | 3808466  | 2   | Mounting kit     |
| 15  | 955860   | 4   | • Nut            |
| 16  | 941914   | 2   | • Spring washer  |
| 17  | 3857588  | 2   | • Washer         |