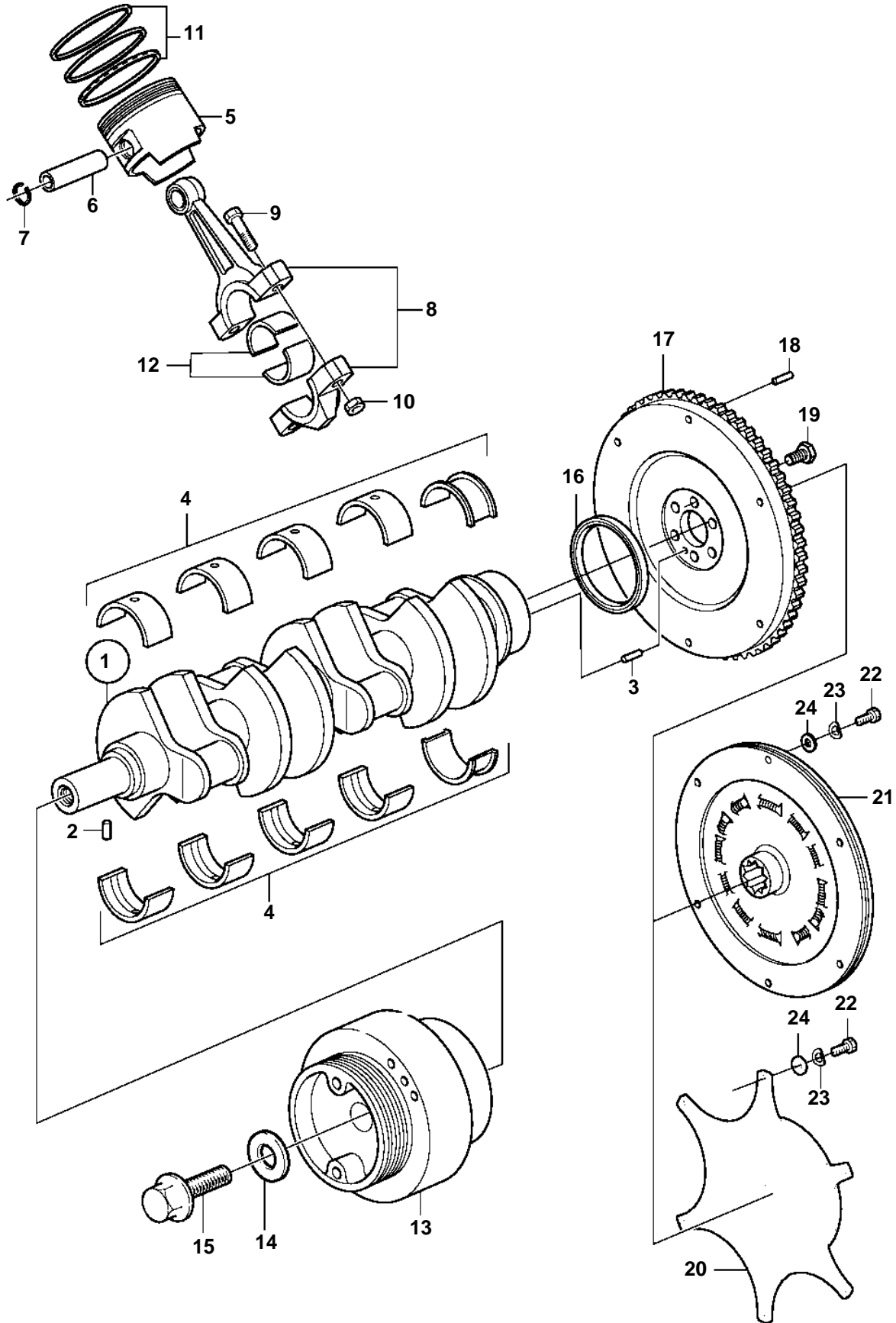


8.1GiI-F



## 8.1GiI-F

REF	PART NO.	QTY	DESCRIPTION	NOTES
1	3808530	1	Crankshaft	
2	3861307	1	· Locating pin	
3	3861303	1	· Pin	
4	3861236	1	Main bearing kit	
5	3808523	4	Piston kit	STD, STARBOARD
	3808525	4	Piston kit	STD, PORT
	3808526	X	Piston kit	O.S=0.030", S.B
	3808527	X	Piston kit	O.S=0.030", P
6		8	· Piston pin	FLOATING PISTON PIN
7	3818500	8	Snap ring	
8	3817694	8	Connecting rod	
9		16	· Screw	
10	3859077	16	· Nut	
11	3861311	8	Piston ring kit	STD
	3861312	X	Piston ring kit	O.S=0.030"
12	3861233	8	Big end bearing kit	
13	3861274	1	Absorber	
14	3861340	1	Washer	
15	3861264	1	Screw	
16	3861318	1	Seal	
17	3861362	1	Flywheel	
18	3861303	2	· Pin	
19	3861263	6	Screw	
20	3862124	1	Vibration damper	
21	3860981	1	Vibration damper	HURTH 630D, BW72C
22	970947	6	Screw	
23	941908	6	Spring washer	
24	980933	6	Washer	