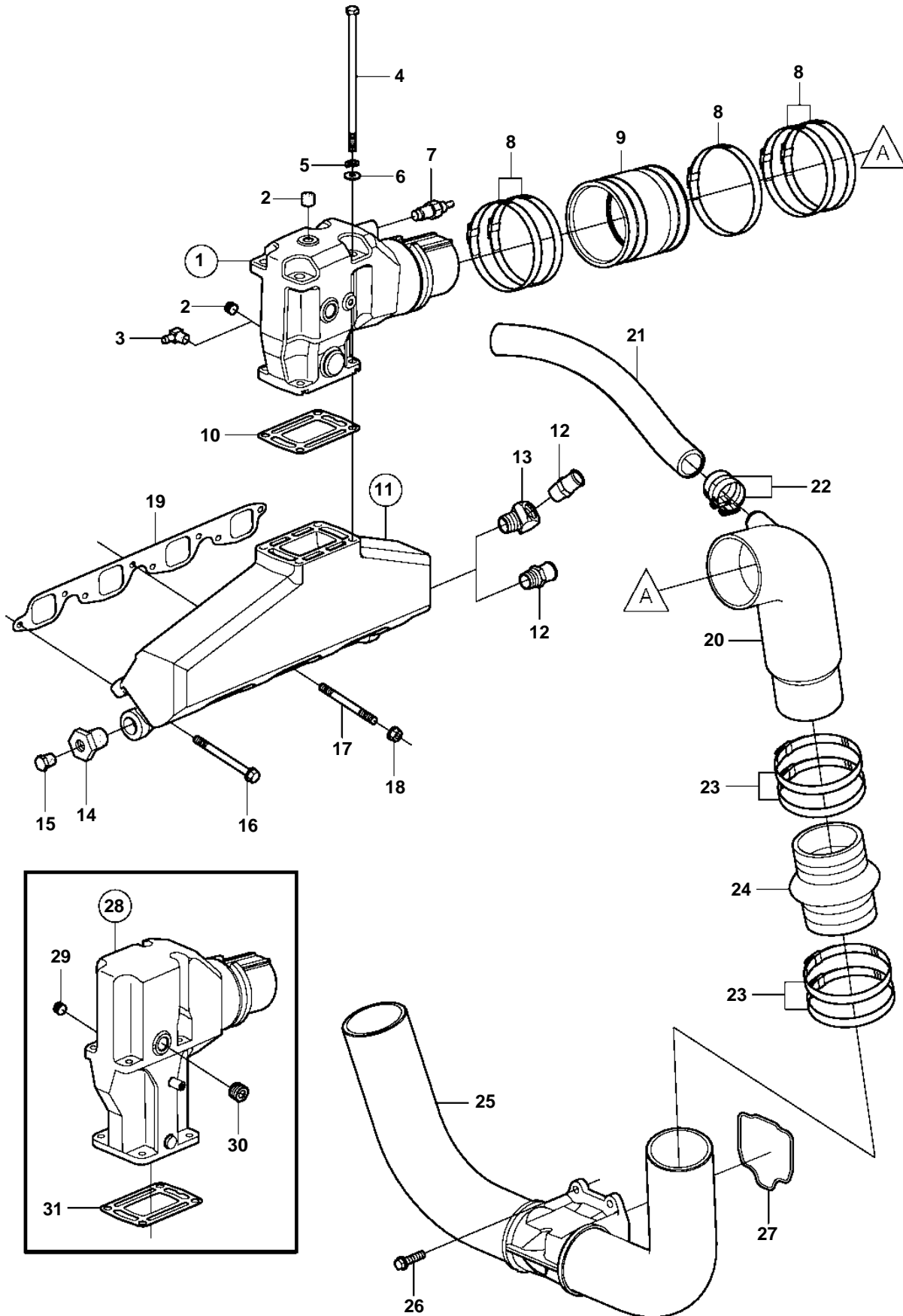


8.10Si-A, 8.10Si-AF



## 8.10Si-A, 8.10Si-AF

REF	PART NO.	QTY	DESCRIPTION	NOTES
1	3863061	2	Exhaust riser	
2	3850740	3	· Plug	
3	3853597	1	Elbow	
4	3852830	8	Screw	
5	3852002	8	Lock washer	
6	980933	8	Washer	
7	3862500	2	Temperature sensor	
8	3863443	10	Clamp	
9	3852696	8	Exhaust hose	
10	3863191	1	Gasket kit	Contains 2 riser gaskets.
11	3860855	2	Manifold	
12	3861159	2	Nipple	
13	983563	X	Elbow	45°
14	3861160	2	Fitting	
15	3850802	2	Plug	
16	945444	8	Flange screw	
17	982974	8	Stud	
18	945408	8	Flange nut	
19	3852472	2	Gasket	
20	3863461	1	Exhaust pipe	STARBOARD
	3863462	1	Exhaust pipe	PORT
21	3862206	1	Exhaust hose	
22	3863440	4	Clamp	
23	3863442	8	Clamp	
24	3863450	2	Bellows	
25	3858873	1	Exhaust pipe	
26	946752	4	Flange screw	
27	3587651	1	Sealing kit	
28	3862907	X	Exhaust pipe kit	3.00" (76mm)
29	3850740	X	Plug	
30	3850999	X	Plug	
31	3863191	X	Gasket kit	Contains 2 riser gaskets.