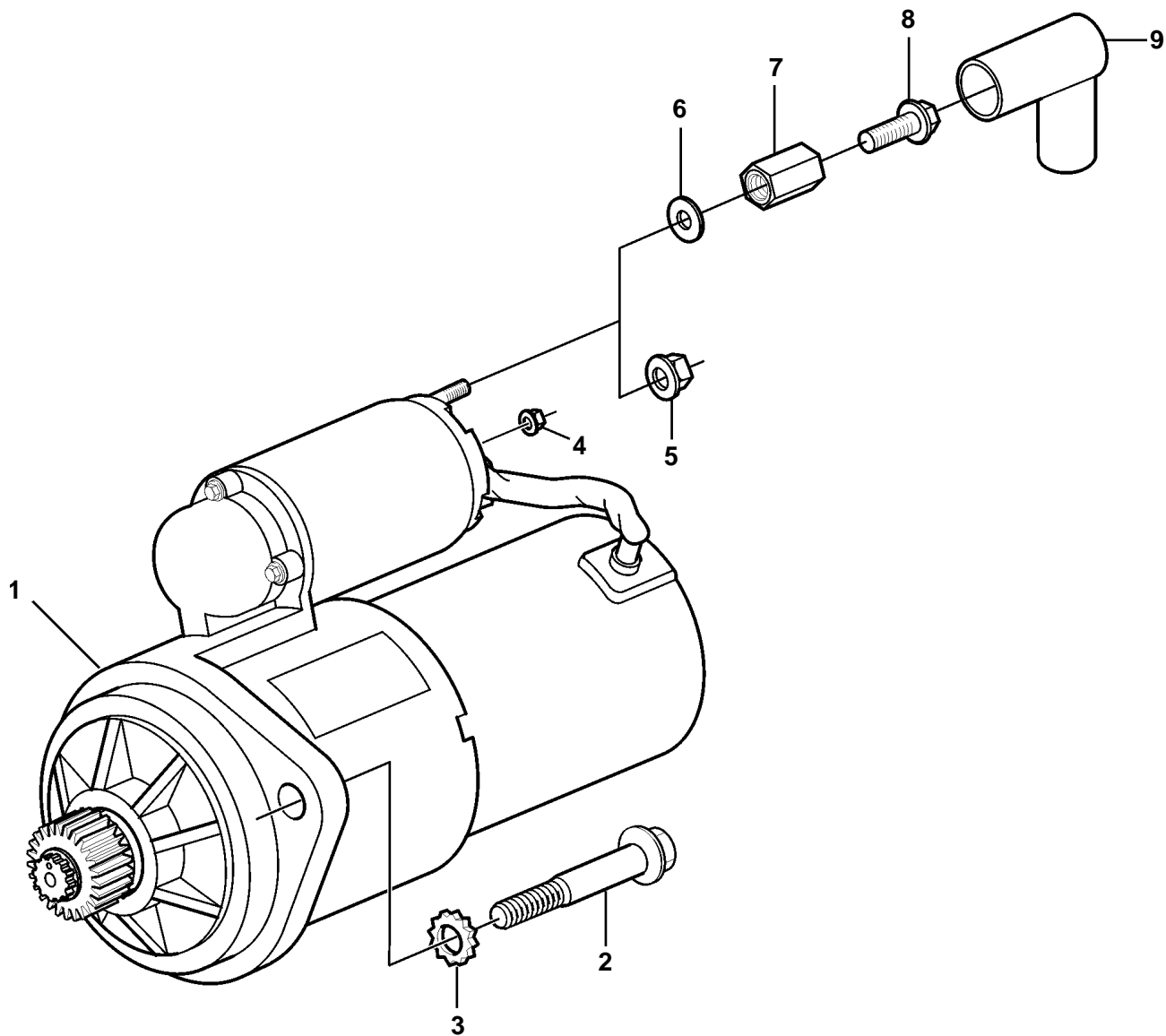


8.1GiI-E, 8.1GXil-D



8.1GiI-E, 8.1GXil-D

REF	PART NO.	QTY	DESCRIPTION	NOTES
1	3862985	1	Starter motor	
	3803147	1	Starter motor, exch	Exchange unit
2	3853558	2	Flange screw	
3	3852144	2	Washer	
4	949874	1	Lock nut	
5	945408	1	Flange nut	
6	3852054	1	Washer	
7	855314	1	Nut	
8	947107	1	Flange screw	
9	855798	1	Protecting sleeve	