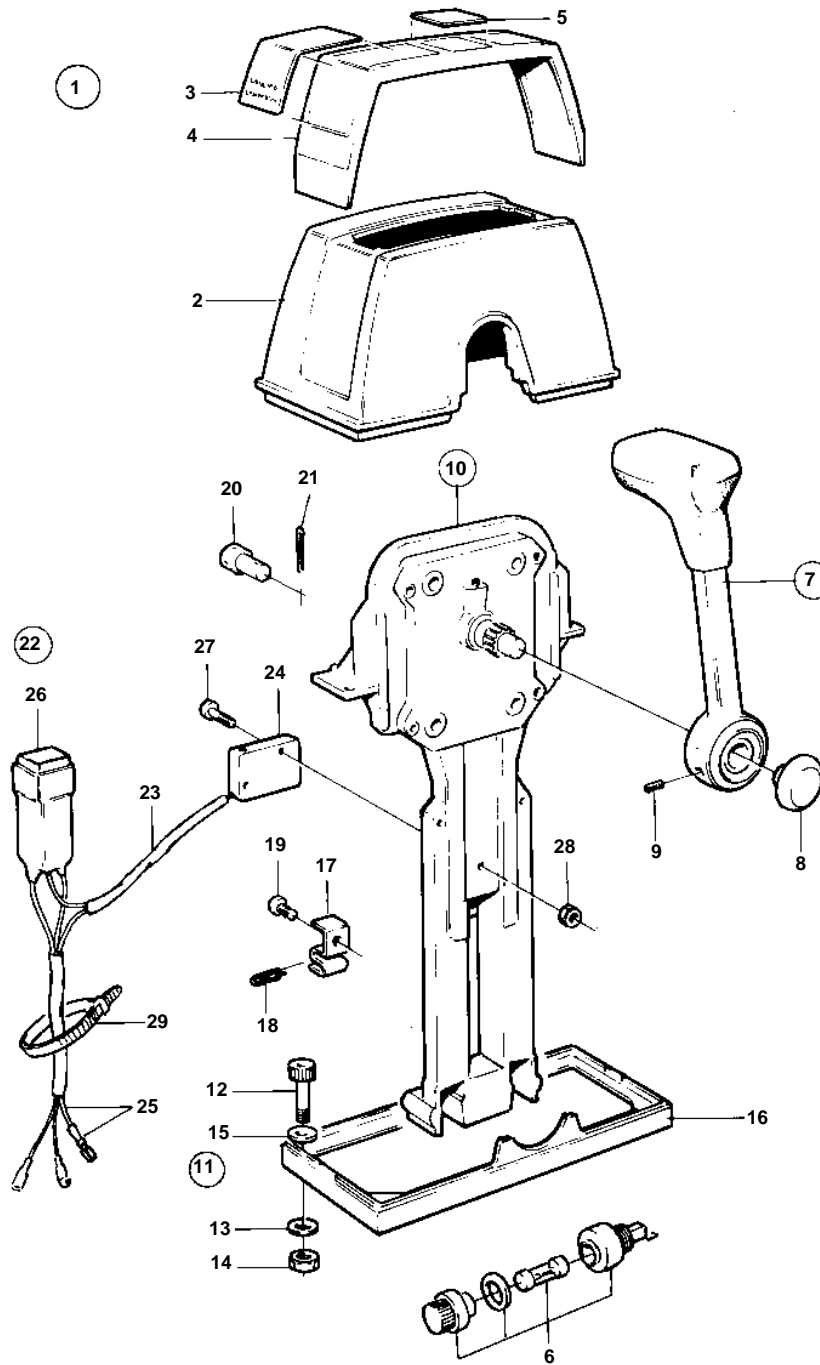


740A, 740A/MS5



8885

740A, 740A/MS5

REF	PART NO.	QTY	DESCRIPTION	SEE SEC.	NOTES
1	853168	1	Mounting kit		SINGLE
2	851882	1	• Cover		
3	851896	2	• Decal		
4		1	• Crossbar		
5		1	• Decal		
7	852347	1	• Hand lever		
				20035	
				20036	
8	853004	1	• Push button		
9	963678	1	• Hex. socket screw		
10	851600	1	• Control		
				20038	
11		1	• Screw kit		
12	947671	4	• • Hex. socket screw		
13	960138	4	• • Washer		
14	955780	4	• • Hexagon nut		
15	940090	4	• • Washer		
16	839474	1	• Plate		
17	853423	1	• Retainer		
18	852924	1	• Clip		
19	839664	1	Screw		
20	839638	1	Cube		
21	17253	1	Split pin		
22	855352	1	Neutral position con		(839641)
23		1	• Cable kit		
24	850200	1	• • Toggle switch		
25		X	• • CABLES AND TERMINALS		
26	876037	1	• Relay kit		(1501832)
27	946177	2	• Cross recessed screw		
28	947536	2	• Hexagon nut		
29	948210	X	• Cable tie		