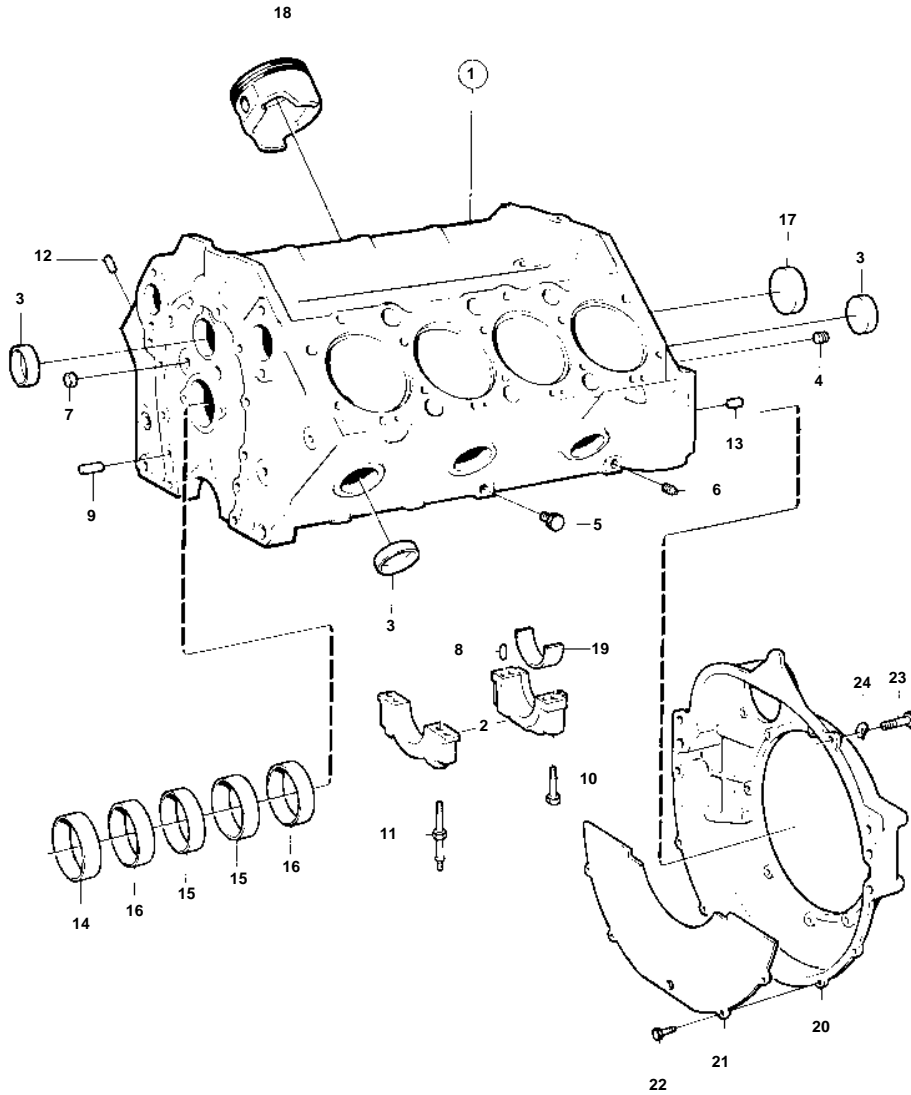


740A/MS5



9554

740A/MS5

REF	PART NO.	QTY	DESCRIPTION	SEE SEC.	NOTES
1		1	CYLINDER BLOCK		INCLUDED IN BASIC ENGINE 856708
2		5	· BEARING CAP		
3		8	· Cap plug		
4	952075	4	· Plug		
5	192134	4	· Plug		
6		3	· Plug		
7	856547	2	· Plug		
8	835040	2	· Locating pin		
9	835040	2	· Locating pin		
10		6	· Bolt		SHORT
		10	· Screw		LONG
11		4	· Stud		
12	856551	4	· Locating pin		
13		2	· Locating pin		
14	856552	1	· Bearing		
15	856553	2	· Bearing		
16	856554	2	· Bearing		
17	856555	1	· Cap plug		
18		8	· PISTON	19957	
19		X	· MAIN BEARING KIT	19957	
20	841056	1	Flywheel housing		
21	855909	1	Cover plate		
22	947224	4	Hexagon screw		
23	955541	2	Hexagon screw		L = 76 MM
	955535	3	Hexagon screw		L = 32 MM
24	942336	5	Spring washer		