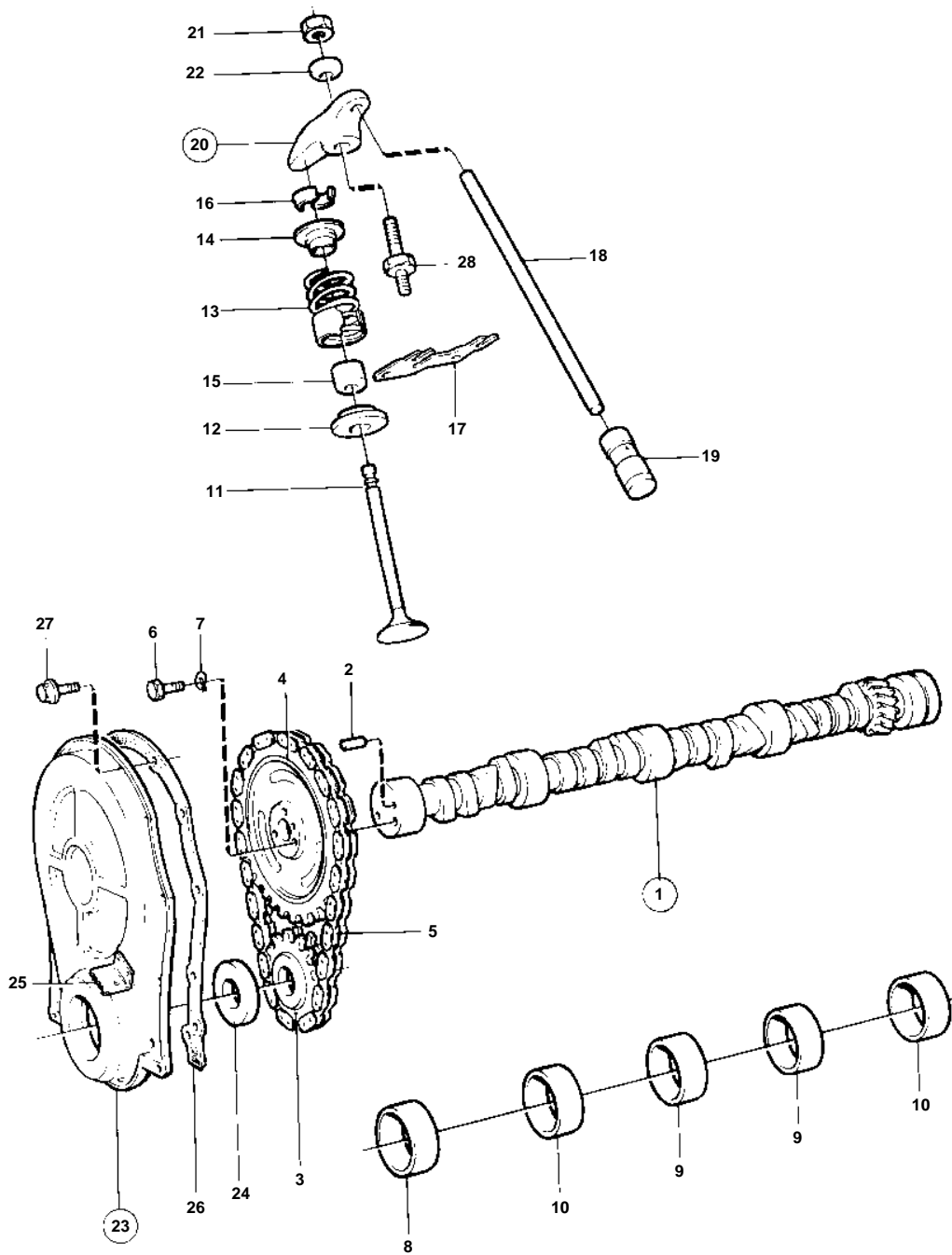


740A/MS5



9554

740A/MS5

| REF | PART NO. | QTY | DESCRIPTION | SEE SEC. | NOTES |
|-----|----------|-----|---------------------|----------|---------------------------------|
| 1 | 856617 | 1 | Camshaft | | INCLUDED IN BASIC ENGINE 856708 |
| 2 | 835040 | 1 | · Locating pin | | |
| 3 | 856618 | 1 | Sprocket | | |
| 4 | | 1 | Sprocket | | |
| 5 | 856620 | 1 | Chain | | |
| 6 | 940135 | 3 | Hexagon screw | | |
| 7 | 941907 | 3 | Spring washer | | |
| 8 | 856552 | 1 | Bearing | | INCL.IN CYLINDERBLOCK. |
| 9 | 856553 | 2 | Bearing | | INCL.IN CYLINDERBLOCK. |
| 10 | 856554 | 2 | Bearing | | INCL.IN CYLINDERBLOCK. |
| 11 | 856566 | 8 | Valve | | STD |
| | 856567 | 8 | Valve | | OVER SIZE 0,015" |
| | 856640 | 8 | Valve | | OVER SIZE 0,030" |
| | 856563 | 8 | Valve | | STD |
| | | 8 | Valve | | OVER SIZE 0,015" |
| | | 8 | Valve | | OVER SIZE 0,030" |
| 12 | 856569 | 16 | Valve spring washer | | LOWER |
| 13 | 856570 | 16 | Valve spring | | |
| 14 | 856568 | 16 | Valve spring washer | | |
| 15 | 856572 | 16 | Valve stem seal | | UPPER |
| 16 | 856571 | 32 | Valve collet | | |
| 17 | | 8 | Guide | | |
| 18 | 856621 | 8 | Push rod | | INLET |
| | 856622 | 8 | Push rod | | EXHAUST |
| 19 | 835089 | 16 | Tappet | | |
| 20 | 856627 | 16 | Rocker arm | | |
| 21 | | 16 | · Nut | | |
| 22 | | 16 | · Ball | | |
| 23 | 856605 | 1 | Timing gear casing | | |
| 24 | 856606 | 1 | · Sealing ring | | |
| 25 | | 1 | Setting indicator | | |
| 26 | 856608 | 1 | Gasket | | |
| 27 | 943629 | 10 | Flange screw | | |
| 28 | 856573 | 16 | Screw | 19953 | |