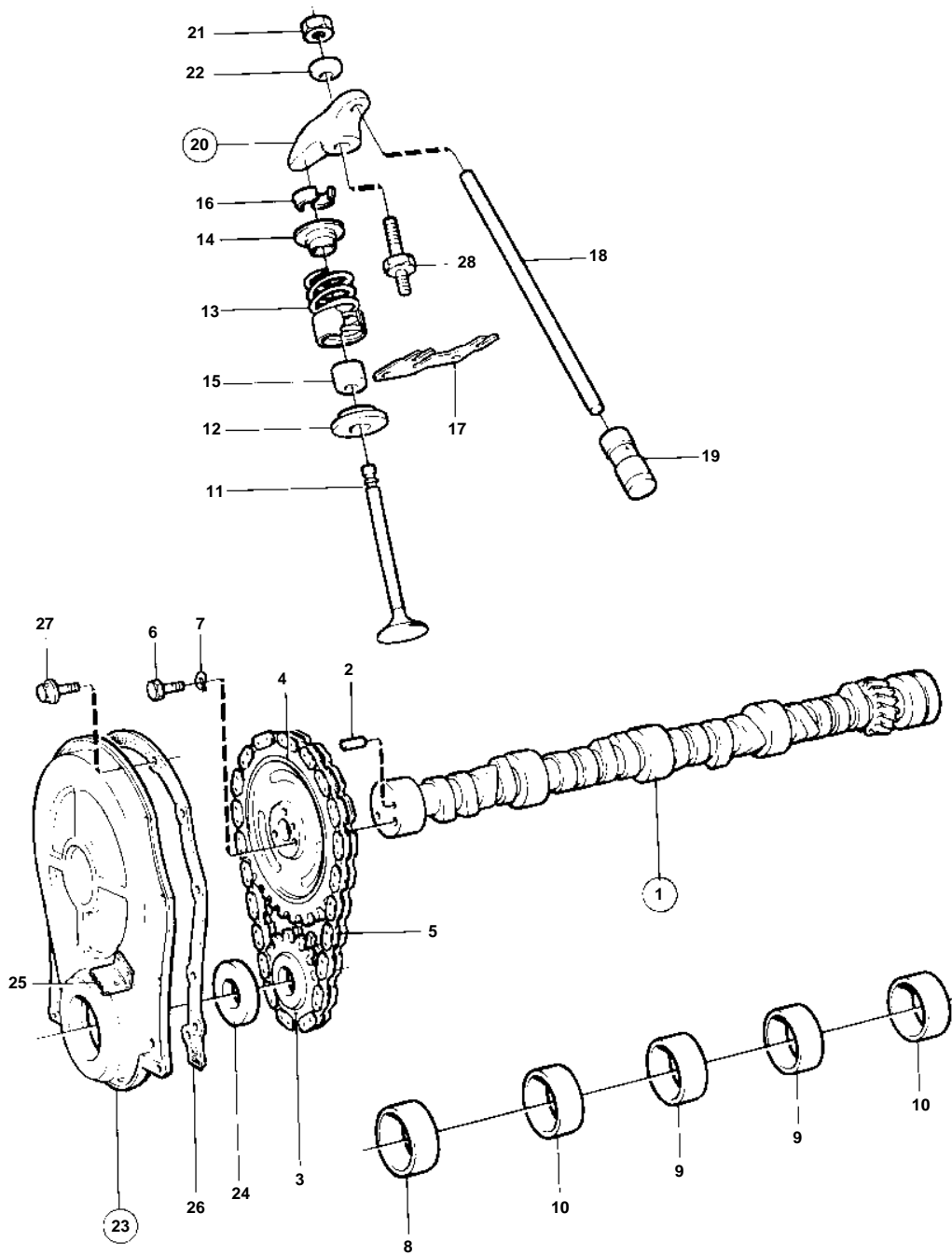


740A/MS5



9554

## 740A/MS5

REF	PART NO.	QTY	DESCRIPTION	SEE SEC.	NOTES
1	856617	1	Camshaft		INCLUDED IN BASIC ENGINE 856708
2	835040	1	· Locating pin		
3	856618	1	Sprocket		
4		1	Sprocket		
5	856620	1	Chain		
6	940135	3	Hexagon screw		
7	941907	3	Spring washer		
8	856552	1	Bearing		INCL.IN CYLINDERBLOCK.
9	856553	2	Bearing		INCL.IN CYLINDERBLOCK.
10	856554	2	Bearing		INCL.IN CYLINDERBLOCK.
11	856566	8	Valve		STD
	856567	8	Valve		OVER SIZE 0,015"
	856640	8	Valve		OVER SIZE 0,030"
	856563	8	Valve		STD
		8	Valve		OVER SIZE 0,015"
		8	Valve		OVER SIZE 0,030"
12	856569	16	Valve spring washer		LOWER
13	856570	16	Valve spring		
14	856568	16	Valve spring washer		
15	856572	16	Valve stem seal		UPPER
16	856571	32	Valve collet		
17		8	Guide		
18	856621	8	Push rod		INLET
	856622	8	Push rod		EXHAUST
19	835089	16	Tappet		
20	856627	16	Rocker arm		
21		16	· Nut		
22		16	· Ball		
23	856605	1	Timing gear casing		
24	856606	1	· Sealing ring		
25		1	Setting indicator		
26	856608	1	Gasket		
27	943629	10	Flange screw		
28	856573	16	Screw	19953	