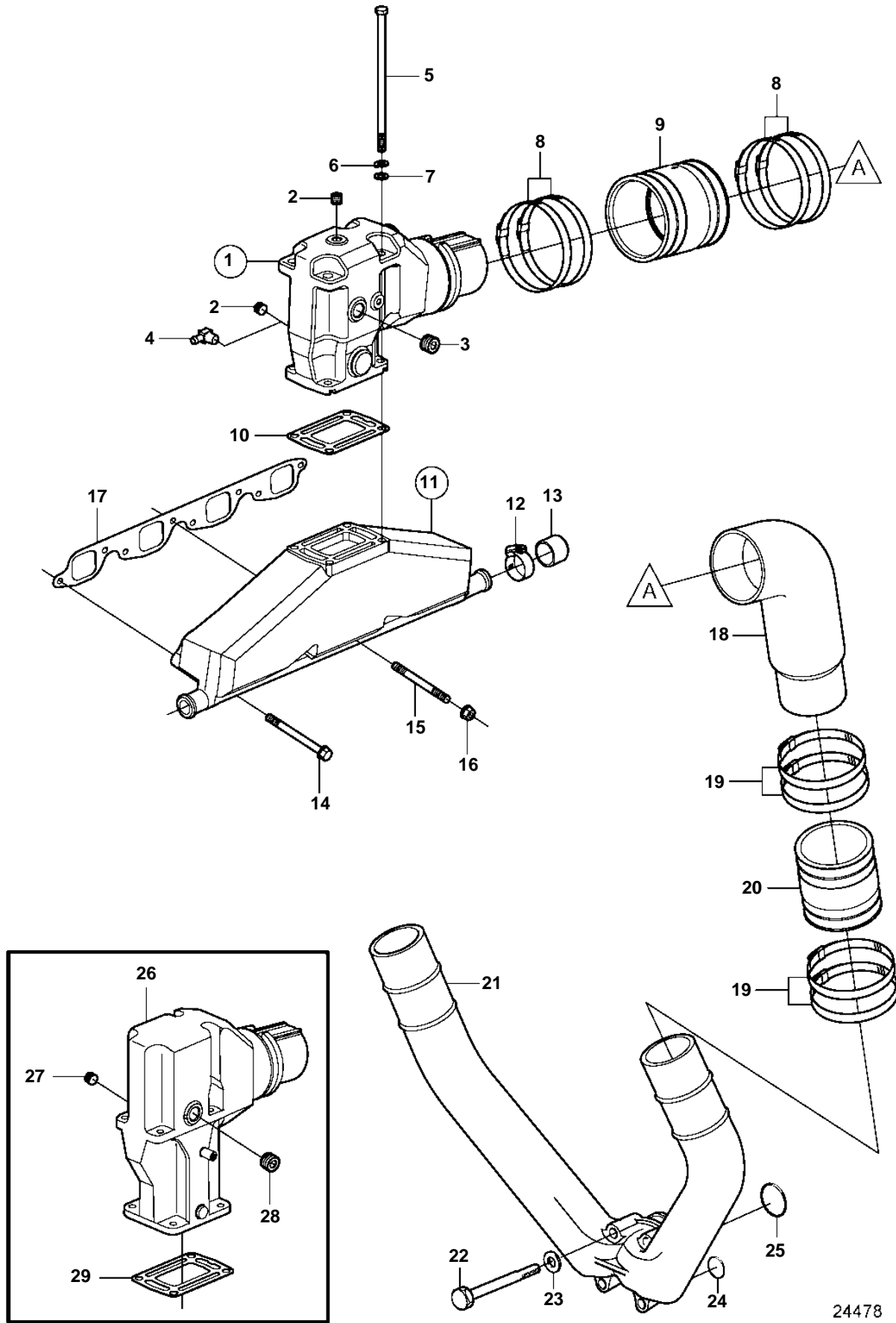


DPX385XEFS, DPX415XEFS



Upd: 2009-08-20

24478

24478

7797479 - 25 - 35181

DPX385XEFS, DPX415XEFS

| REF | PART NO. | QTY | DESCRIPTION         | SEE SEC.    | NOTES                 |
|-----|----------|-----|---------------------|-------------|-----------------------|
| 1   | 3857944  | 2   | Elbow               |             | REPL BY 3861842       |
|     |          |     | · Bulletin P-25-1-5 | P-25-1-5-EN | Riser Extension Kit   |
| 2   | 3850740  | 4   | · Plug              |             |                       |
| 3   | 3850999  | 4   | · Plug              |             |                       |
| 4   | 3853597  | 1   | Elbow               |             |                       |
| 5   | 3852830  | 8   | Screw               |             |                       |
| 6   | 3852002  | 8   | Spring washer       |             |                       |
| 7   | 3852058  | 8   | Washer              |             |                       |
| 8   | 3853860  | 8   | Hose clamp          |             |                       |
| 9   | 3852696  | 8   | Hose                |             |                       |
| 10  | 3850496  | 2   | Gasket              |             | REPL BY 3863191       |
|     |          |     | · Bulletin P-25-1-1 | P-25-1-1-EN | Riser Gasket Replaced |
| 11  | 3852362  | 2   | Manifold            |             |                       |
| 12  | 3852602  | 2   | Hose clamp          |             |                       |
| 13  | 3852476  | 2   | Cardboard tube      |             |                       |
| 14  | 3853326  | 8   | Screw               |             |                       |
| 15  | 3852140  | 8   | Stud                |             |                       |
| 16  | 3853404  | 8   | Nut                 |             |                       |
| 17  | 3852472  | 2   | Gasket              |             |                       |
| 18  | 3850211  | 2   | Exhaust pipe        |             |                       |
| 19  | 3852604  | 8   | Hose clamp          |             |                       |
| 20  | 3852741  | 2   | Hose                |             |                       |
| 21  | 3851000  | 1   | Exhaust pipe        |             |                       |
| 22  | 947790   | 4   | Flange screw        |             |                       |
| 23  | 976945   | 4   | Washer              |             |                       |
| 24  | 925064   | 2   | O-ring              |             |                       |
| 25  | 925256   | 1   | O-ring              |             |                       |
| 26  | 3862097  | X   | Kit                 |             | REPL BY 3862907       |
| 27  | 3850740  | X   | Plug                |             |                       |
| 28  | 3850999  | X   | Plug                |             |                       |
| 29  | 3850496  | X   | Gasket              |             | REPL BY 3863191       |
|     |          |     | · Bulletin P-25-1-1 | P-25-1-1-EN | Riser Gasket Replaced |