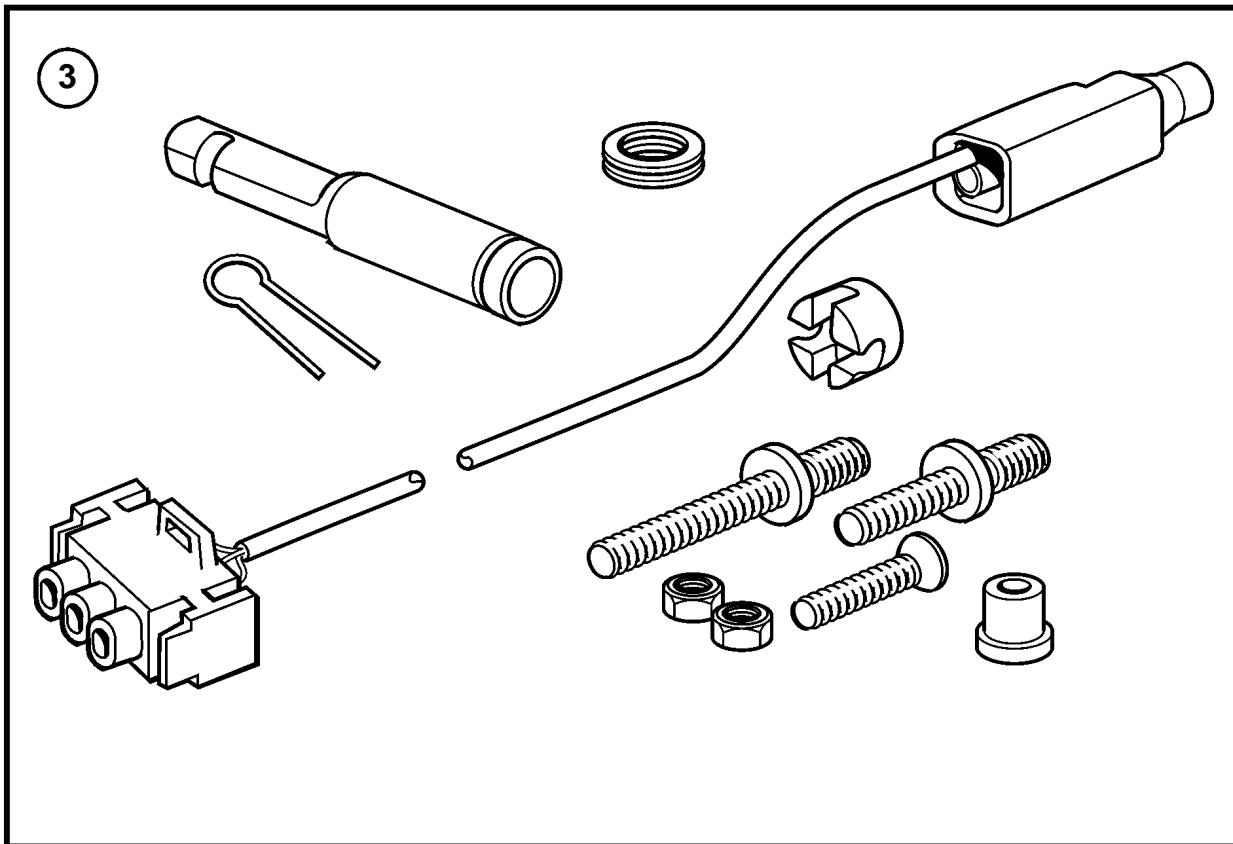
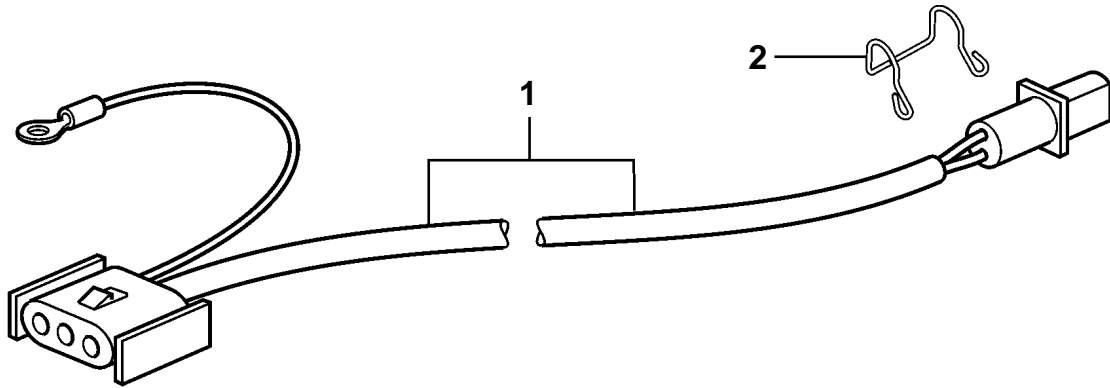


DPX385XEFS, DPX415XEFS



DPX385XEFS, DPX415XEFS

REF	PART NO.	QTY	DESCRIPTION
1		1	Wiring harness
2	3852237	1	Retainer
3	3857604	1	Kit