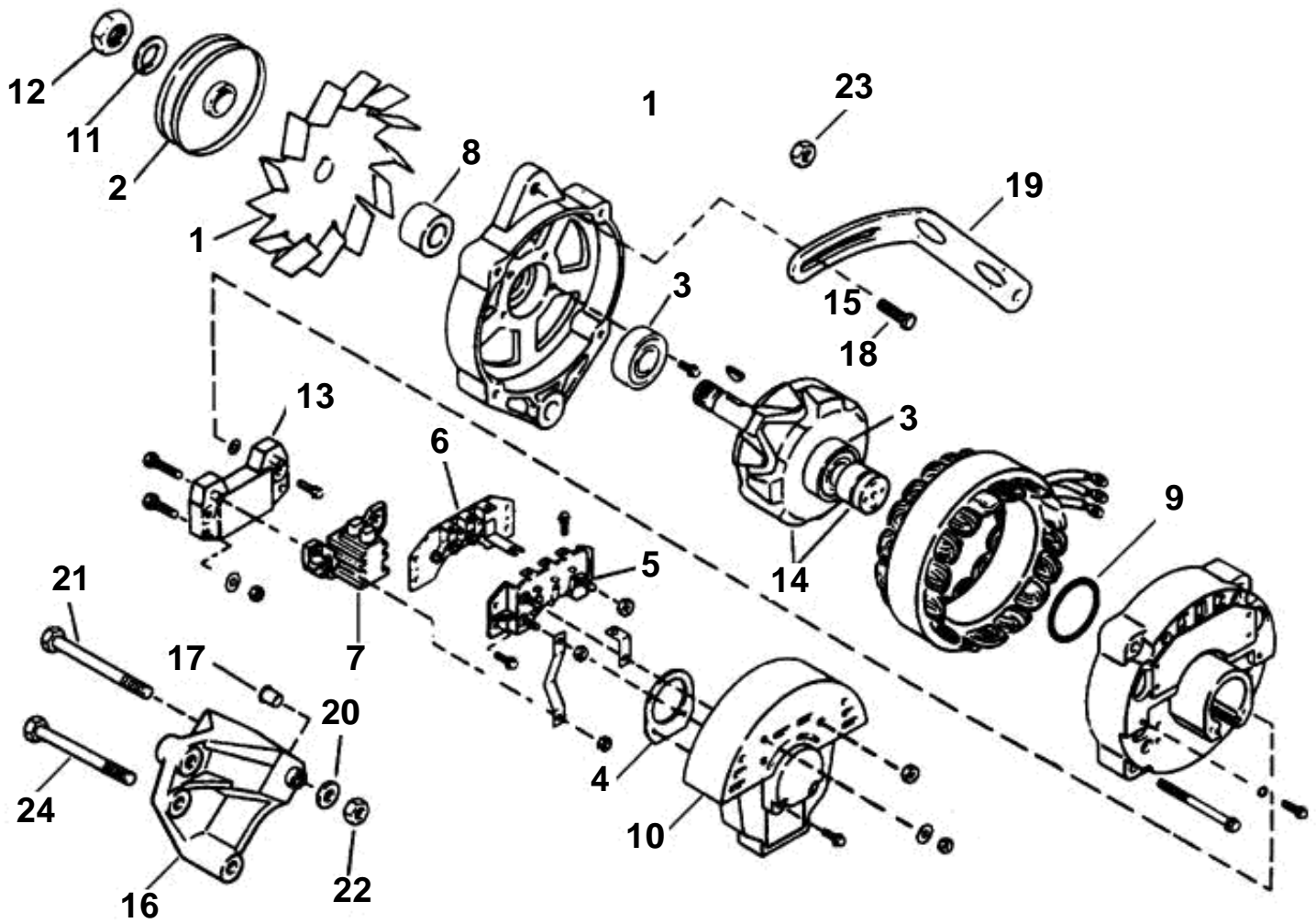


7.4GIINCCCE, 7.4GIINCSCE, 7.4GIPNCACE, 7.4GIPNCBCE, 7.4GIPNCMCE, 7.4GIPNCSCE, 7.4GSIINCC, 7.4GSIINCS,
7.4GSIXNCB, 7.4GSIXNCM, 8.2GSIXNCB



7.4GIINCCCE, 7.4GIINCSCE, 7.4GIPNCACE, 7.4GIPNCBCE, 7.4GIPNCMCE, 7.4GIPNCSCE, 7.4GSIINCC, 7.4GSIINCS, 7.4GSIXNCB, 7.4GSIXNCM, 8.2GSIXNCB

REF	PART NO.	QTY	DESCRIPTION	NOTES
1	3854809	1	Alternator	Un-numbered parts serviced at assembly level only
	3853756	1	· Fan	
2	3853755	1	· Pulley	
3	3852643	2	· Bearing	
4	3852642	1	· Bearing carrier, Rear bearing	
5		1	· Diode	
6		1	· Diode bridge	
7	3853835	1	· Brush retainer	
8	3852639	1	· Spacer, Fan	
9	3852637	1	· Gasket	
10	3853834	1	· Cover	
11	3852625	1	· Lock washer, Pulley	
12	3852630	1	· Nut, Pulley	
13	3853833	1	· Regulator, Voltage	
14		1	· Rotor	
15	3852054	1	Washer, Brace to alternator	Not shown
16	3854642	1	Alternator bracket, Alternator	
17	3854579	1	· Bushing	
18	3853396	1	Screw, Alternator brace to alternator	
19	3854572	1	Brace, Alternator	
20	3852058	1	Washer, Alternator to bracket	
21	3853367	1	Screw, Alternator to bracket	
22	3852051	4	Nut, Alternator to bracket	
23	3853403	1	Nut, Stud, brace to water pump	
24	3854387	2	Screw, Alternator bracket & brace to engine	