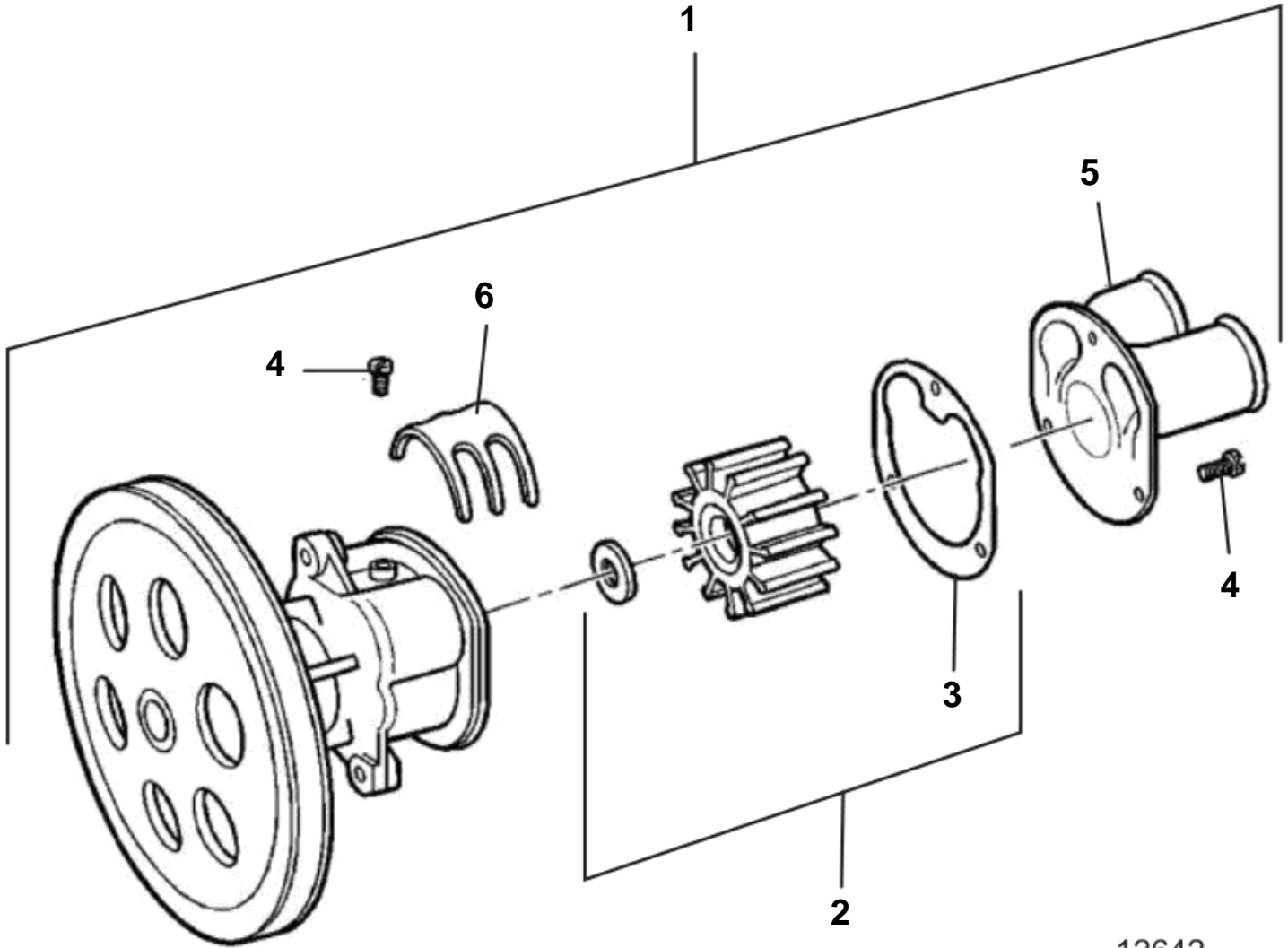


7.4GLPNCS, 7.4GLPNCB, 7.4GIINCCCE, 7.4GIPNCBCE, 7.4GIPNCSCE, 7.4GLINCC, 7.4GSIINCC, 7.4GSIXNCB, 8.2GSIXNCB



12642

