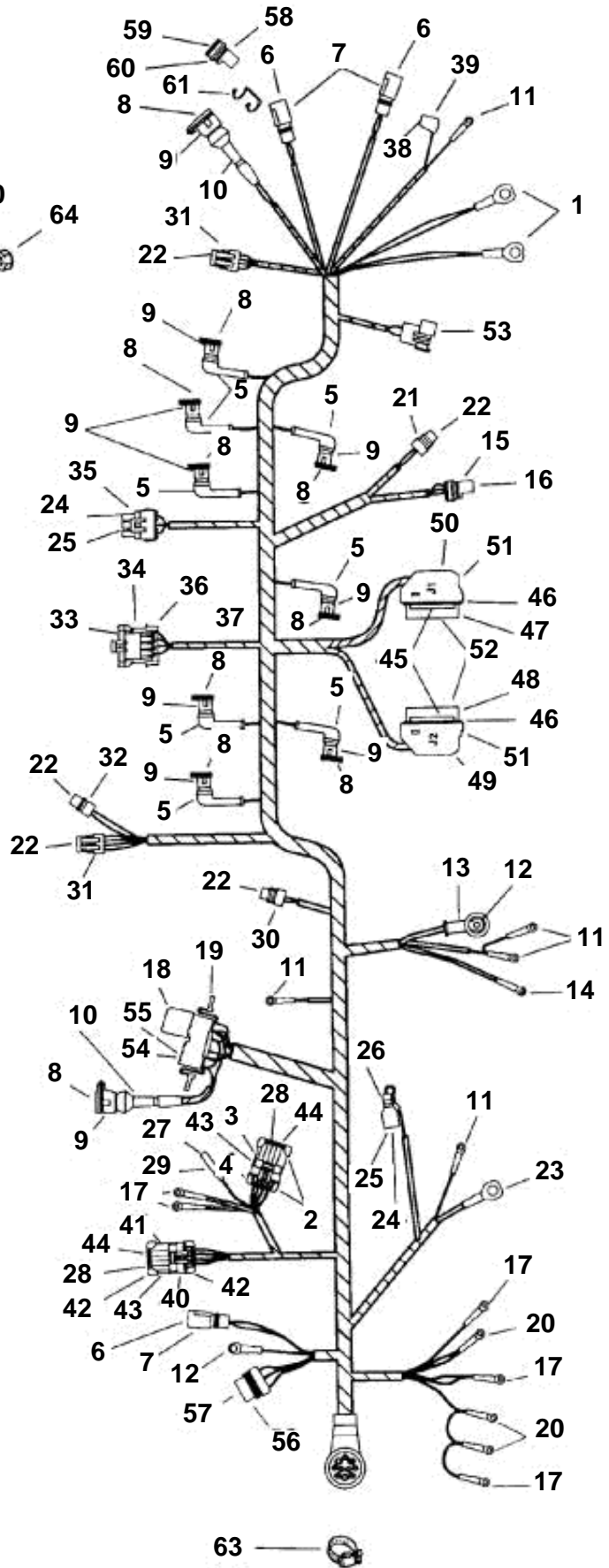
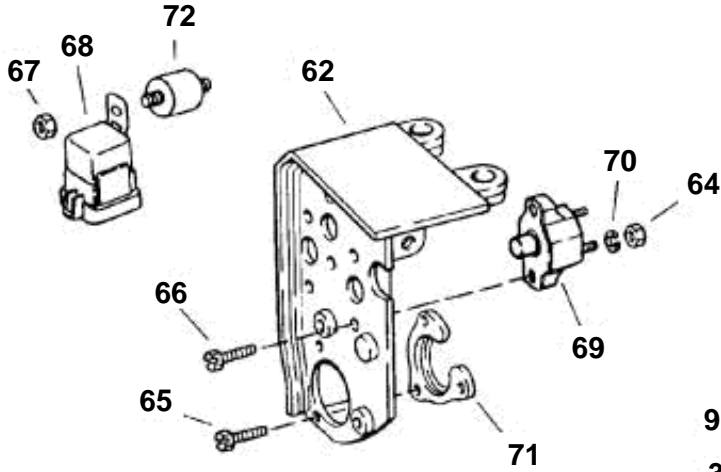


7.4GIPLKDCE, 7.4GIPLKECE, DPX385XLKE, DPX415XLKE



7.4GIPLKDCE, 7.4GIPLKECE, DPX385XLKE, DPX415XLKE

REF	PART NO.	QTY	DESCRIPTION	NOTES
1		1	Cable harness, Gi, GSi	Not shown
	3852527	2	• Cable terminal	
2		1	• Cap, 4-pin connector	
3		1	• Cable harness, 4-pin	
4	3855239	1	• Connector, 4-pin	
5	3853711	8	• Cable sleeve	
6	3852229	6	• Cable terminal, Pin	
7	3853565	3	• Connector, 2-pin	
8	3853679	20	• Cable terminal	
9	3855021	10	• Housing	
10	3853681	2	• Cover	
11	3852233	5	• Cable terminal	
12	3852107	1	• Cable terminal, 0.25	
13	3852130	1	• Rubber cap	
14	3852036	1	• Cable terminal, #10	
15		1	• Connector, 6-socket plug	
16	3852257	6	• Cable terminal	
17		5	• Cable terminal, #10	
18	3850403	1	• Relay, Fuel pump	
19	3852210	1	• Bracket	
20		3	• Cable terminal	
21		1	• CONNECTOR, MAT sensor	
22	3855242	15	• Cable terminal	
23		1	• Cable terminal, 0.375	
24	3855023	1	• Cable terminal	
25	3853478	1	• Seal	
26	3853480	1	• Terminal casing	
27	3855024	1	• Cable terminal, Socket	
28	3855243	9	• Seal	
29	3855025	1	• Cable sleeve, Receptacle, green	
30	3855244	1	• Connector	
31	3855027	2	• Cable terminal, 4-terminal	
32	3855245	1	• Connector	
33	3855246	1	• Cable terminal	
34	3855247	1	• Connector	
35	3855248	1	• Connector	
36	3855249	1	• Connector, 5-pin connector	
37	3852527	2	• Cable terminal, 0.375	
38	3852084	1	• Cable terminal, Side rcpt	
39	3853320	1	• Cover	
40	3855251	1	• Connector	
41	3855252	1	• Connector	
42	3855253	2	• Cap, Connector	
43	3855267	9	• Cable terminal	
44	3855254	19	• Plug	
45	3855255	2	• Connector, Connector	
46	3855256	2	• Seal	
47	3855257	1	• Connector, Connector, J1 module	
48	3855258	1	• Connector, Connector, J2 module	
49	3855259	1	• Connector housing, J2 module	
50	3855260	1	• Connector housing, J1 module	
51	3855261	28	• Plug	
52	3855262	36	• Cable terminal	
53	3854244	1	• Cable, 2/C	
54	3852246	5	• Cable terminal, Receptacle, 0.250	
55	3852247	1	• Cable terminal, Receptacle, 0.250	
56	3852239	1	• Pin connector, 3-socket plug	
	3854192	1	• Connector	
57	3852254	4	• Cable terminal, Receptacle	
58	3855178	1	Connector, Master / slave	
59	3852230	2	• Plug	
60	3853564	1	• Connector	
		1	Lock strap, Master / slave connector	

7.4GIPLKDCE, 7.4GIPLKECE, DPX385XLKE, DPX415XLKE

REF	PART NO.	QTY	DESCRIPTION	NOTES
61	3852237	1	Retainer, Amphenol., master / slave	
62	3850455	1	Bracket, Circuit breaker & engine cable	
63	3853786	1	Clamp, Engine cable end	
64	3852064	8	Nut, Circuit breaker	
65	3852208	3	Screw, Retainer	Engine cable end
66	3853620	2	Screw, Circuit breaker to bracket	Tilt & trim
	3853620	2	Screw, Circuit breaker to bracket	Engine
67	3852118	1	Nut, Relay to isolator	
68	3854164	1	Breaker, 50A	Tilt & trim
	3854138	1	Relay, Starter motor	
69	3854162	1	Breaker, 12.5A, electronic engine control	
	3854186	1	Breaker, 60A, engine	
70	3852001	8	Lock washer, Circuit breaker	
71	3852825	1	Retainer, Engine cable	
72	3850234	1	Isolator, Relay mounting	
	3854117	1	Cable, Starter solenoid to fuel pump	Not shown
	3855162	1	Connector, Shift connectors	Not shown