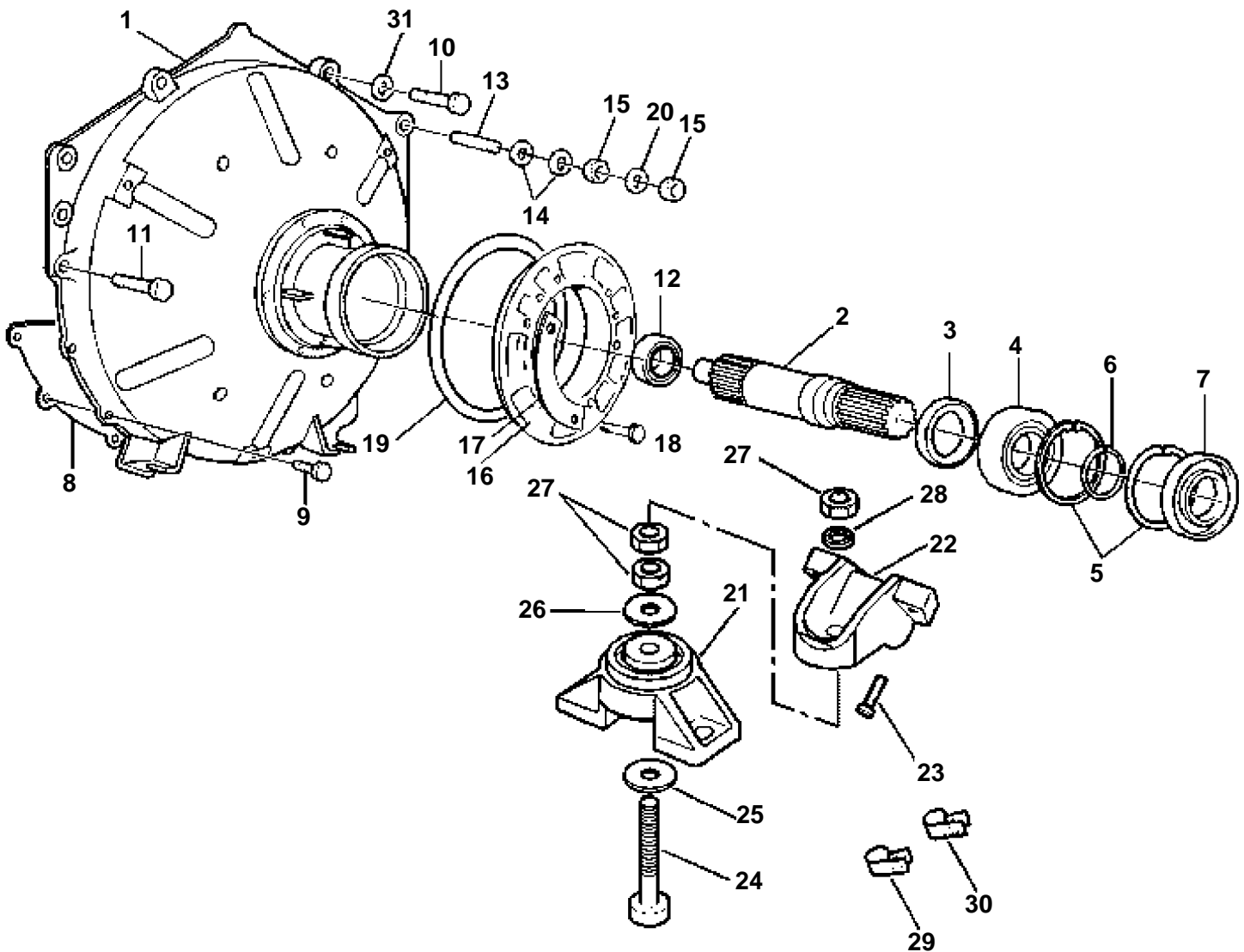


7.4GLPHUS, 7.4GIPHUSCE, 7.4GSIXHUS



GR71910

7.4GLPHUS, 7.4GIPHUSCE, 7.4GSIXHUS

| REF | PART NO. | QTY | DESCRIPTION | NOTES |
|-----|----------|-----|--|--------------------|
| 1 | 3851017 | 1 | Flywheel housing | |
| 2 | 873013 | 1 | Primary shaft | |
| 3 | 958859 | 1 | Sealing ring, Primary shaft | |
| 4 | 3851019 | 1 | Ball bearing, Primary shaft | |
| 5 | 914533 | 2 | Snap ring, Primary shaft | |
| 6 | 914462 | 1 | Lock ring, Primary shaft | |
| 7 | 958860 | 1 | Sealing ring, Primary shaft | |
| 8 | 854939 | 1 | Cover plate, Flywheel housing | |
| 9 | 947224 | 5 | Screw, Flywheel cover to housing | |
| 10 | 3853547 | 1 | Screw | |
| 11 | 3850753 | 3 | Screw, Flywheel housing to engine | |
| 12 | 3860697 | 1 | Bushing, Primary shaft to crankshaft | |
| 13 | 3850571 | 2 | Stud, Flywheel housing to engine | Ground |
| 14 | 3852058 | 2 | Washer | |
| | 3852002 | 2 | Lock washer | |
| 15 | 3852065 | 4 | Nut | |
| 16 | 854315 | 1 | Clamping ring kit, Flywheel housing | Not shown |
| 17 | 806624 | 3 | · Striker plate, Clamp ring | |
| 18 | 191844 | 6 | · Screw | |
| 19 | 804190 | 2 | · Rubber ring, Clamp ring | |
| 20 | 3852070 | 2 | Washer | |
| 21 | 3853805 | 2 | Rubber cushion, Engine front | Port and starboard |
| 22 | 3852760 | 2 | Bracket, Front, port and starboard | |
| 23 | 3853326 | 6 | Screw, Front mount bracket to engine | |
| 24 | 3852566 | 2 | Screw, Front mount | Front |
| 25 | 3852090 | 2 | Lock washer, Bolt, front mount, engine | |
| 26 | 3852433 | 2 | Washer, Front mount | Upper |
| 27 | 3852021 | 6 | Nut, Bolt, mount bracket | Front |
| 28 | 3852428 | 2 | Washer, Front mount | Lower |
| 29 | 3852146 | 1 | Clamp, Starter leads to stbd bracket | |
| 30 | 3852092 | 1 | Clamp, Engine harness | |
| 31 | 3852058 | 2 | Washer | |