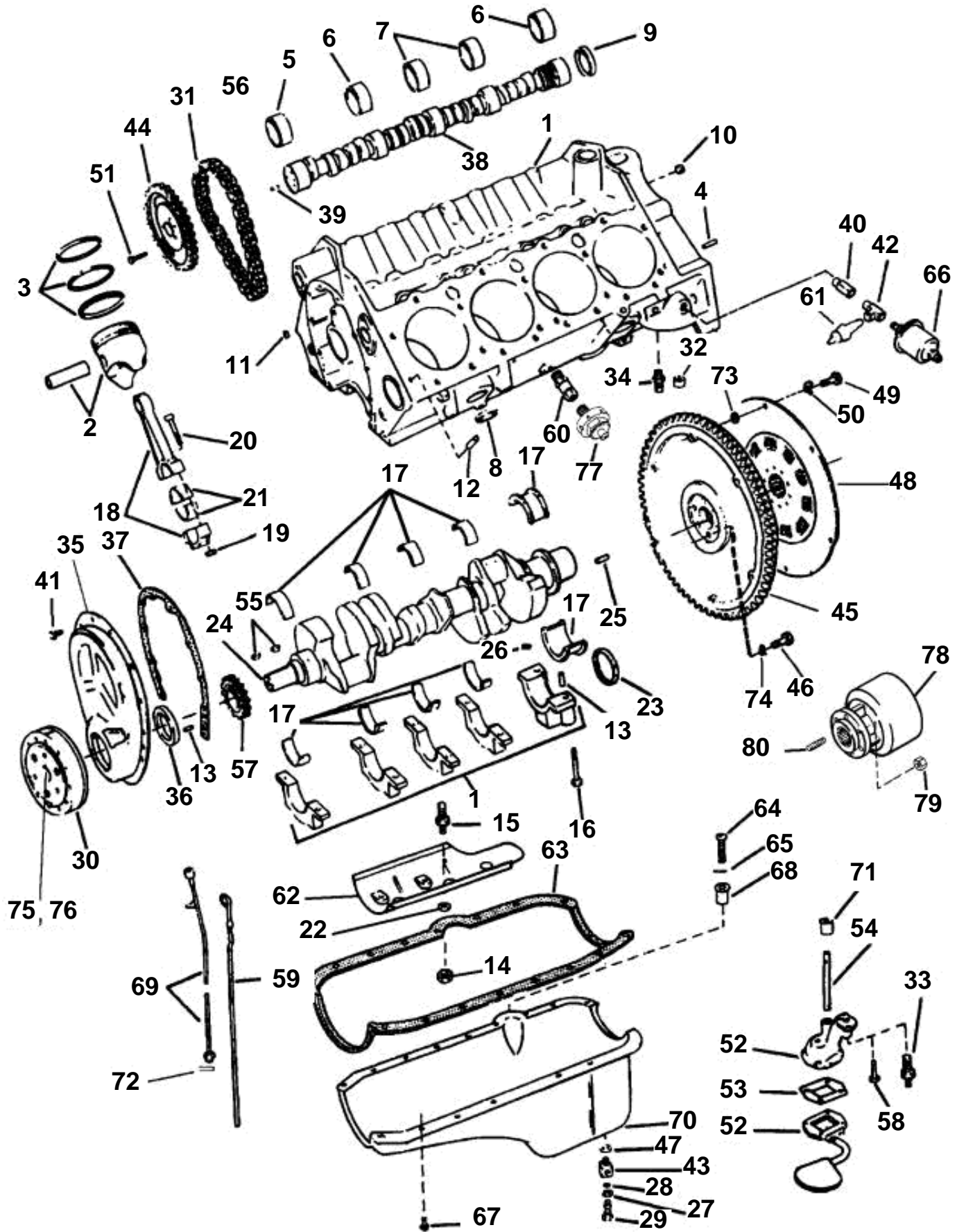


7.4GLPHUS, 7.4GIPHUSCE, 7.4GLIHUB, 7.4GIIHUBCE



Upd: 2008-10-20

12804

7797019 - 21 - 35456

7.4GLPHUS, 7.4GIPHUSCE, 7.4GLIHUB, 7.4GIIHUBCE

REF	PART NO.	QTY	DESCRIPTION	SEE SEC.	NOTES
1	3850854	1	Longblock		
			• Bulletin P-21-0-6	P-21-0-6-EN	Longblock Guidelines, 7.4L and 8.2L
1		1	Longblock		
			• Bulletin P-21-0-6	P-21-0-6-EN	Longblock Guidelines, 7.4L and 8.2L
2	3855036	8	Piston, Standard		
	3855038	1	Piston, 0.030 in. OS		
3	3855039	1	Piston ring kit, Standard		
	3855040	1	Piston ring kit, 0.030 in. OS		
4		2	Locating pin, Flywheel housing		
5	3856881	1	Camshaft bearing kit		
		1	• Camshaft bearing, Camshaft, #1		
6	3853346	2	• Camshaft bearing, Camshaft, #2 & rear		
7	3853347	2	• Camshaft bearing, Cam #3 & #4		
8	3852100	1	Core plug, Engine block		
9	3853348	1	Core plug, Camshaft bearing		Rear
10	3852471	10	Plug, Oil gallery		
11	3852471	3	Plug, Oil gallery, front		
12	3853344	4	Locating pin, Cylinder head		
13	3853213	4	Pin, Front cover		
14	3853134	5	Nut, Oil pan baffle		
15	3853529	4	Stud, Bearing cap		
16	3853500	10	Screw, Bearing cap, outer		
	3853501	6	Screw, Bearing cap, inner		
17	3856880	1	Main bearing kit, Standard		
	3853541	1	• Thrust bearing, Standard, main thrust		
	3853542	1	• Main bearing, Standard, main, #1		
	3855986	3	• Main bearing, Standard, main, #2, 3, & 4		
18	3854079	8	Connecting rod		
19	3853148	16	Nut, Connecting rod		
20	3853481	16	Screw, Connecting rod		
21	3853540	8	Rod bearing, Rod, standard		
22	3853357	5	Washer, Oil pan baffle		
23	3853528	1	Crankshaft seal, Rear main		
24	3853509	1	Crankshaft		
	3853527	1	Woodruff key, Crankshaft		Not shown
25	3853200	1	Pin, Flywheel dowel		
26	3853538	1	O-ring, Rear main bearing cap		
27	3852007	1	Washer, Retainer, oil pan drain		
28	3853674	1	O-ring, Retainer, oil pan drain		
29	3850822	1	Hollow screw, Oil pan drain		12mm
	3852694	1	Hollow screw		½-20 UNF
30	3854092	1	Vibration damper, Torsional		
31	3853506	1	Camshaft chain, Camshaft timing		
32	3854112	1	Valve, Engine block		
33	3853359	1	Stud, Oil pump & screen		
34	3852097	1	Connector, Oil filter adapter		
35	3853508	1	Timing gear casing, Timing		
36	3853360	1	Seal, Front cover		
37	3853512	1	Gasket, Timing cover		
38	3855034	1	Camshaft		
39	3853213	1	Pin, Camshaft sprocket		
40	3852465	1	Bushing, Sender, oil pressure		
41	3852441	6	Screw, Timing cover		
42	3852610	1	T-nipple, Oil pressure switch		
43	3855112	1	Fitting, Oil pan drain		
44	3853523	1	Sprocket, Camshaft		
45	3854903	1	Hose		
	3855970	1	• Gear ring		
46	946471	2	Screw		
47	3851981	1	Sealing washer, Fitting to oil pan		
48	854185	1	Vibration damper, 290 DP		
49	835482	6	Screw, Torsional damper to flywheel		
50	942336	6	Spring washer, Screw, damper to flywheel hsg		

7.4GLPHUS, 7.4GIPHUSCE, 7.4GLIHUB, 7.4GIIHUBCE

REF	PART NO.	QTY	DESCRIPTION	SEE SEC.	NOTES
51	3853173	3	Screw, Camshaft sprocket		
52	3855035	1	Oil pump		
	3853213	1	Pin, Oil pump		Not shown
53	3853514	1	Gasket, Oil pump		
54	3853482	1	Shaft, Oil pump drive		
55	3853527	2	Woodruff key, Woodruff, torsional damper		
56	3855998	1	Retainer, camshaft		
	3853172	2	Screw, Retainer		
57	3853522	1	Sprocket, Crankshaft		
58	3853359	1	Stud, Oil pump & screen		Pump to block
59	3850474	1	Oil dipstick		
60	3854494	2	Drain cock, Engine water drain		
61	3852215	1	Sender, Oil pressure		
62	3854090	1	Baffle plate, Oil pan		
63	3853510	1	Gasket, Oil pan		
64	3852179	1	Screw, Oil pan plug		
65	3852188	1	Washer, Oil pan oil plug		
66	3853800	1	Oil pressure sensor, Oil pressure		
	872064	1	Sender, Oil pressure, dual station		
67	3853358	20	Screw, Oil pan		
68	3852611	1	Plug, Oil pan hole		
69	3854657	1	Tube, Oil dipstick		7.4Gi
	3854180	1	Tube		7 4GL
70	3854103	1	Oil pan		
71	3853199	1	Retainer, Oil pump shaft		
72	3852033	1	O-ring, Oil gage tube to fitting		
73	940097	6	Washer, Screw, damper to flywheel		
74	941909	6	Spring washer, Flywheel		
75	3853502	1	Flange screw, Torsional damper		
76	3853354	1	Washer, Torsional damper		
77	3854512	1	Sensor, knock		
78	3853962	1	Rubber coupling		SX, DP-S
79	3853273	6	Lock nut		SX, DP-S
80	3853274	6	Stud		SX, DP-S