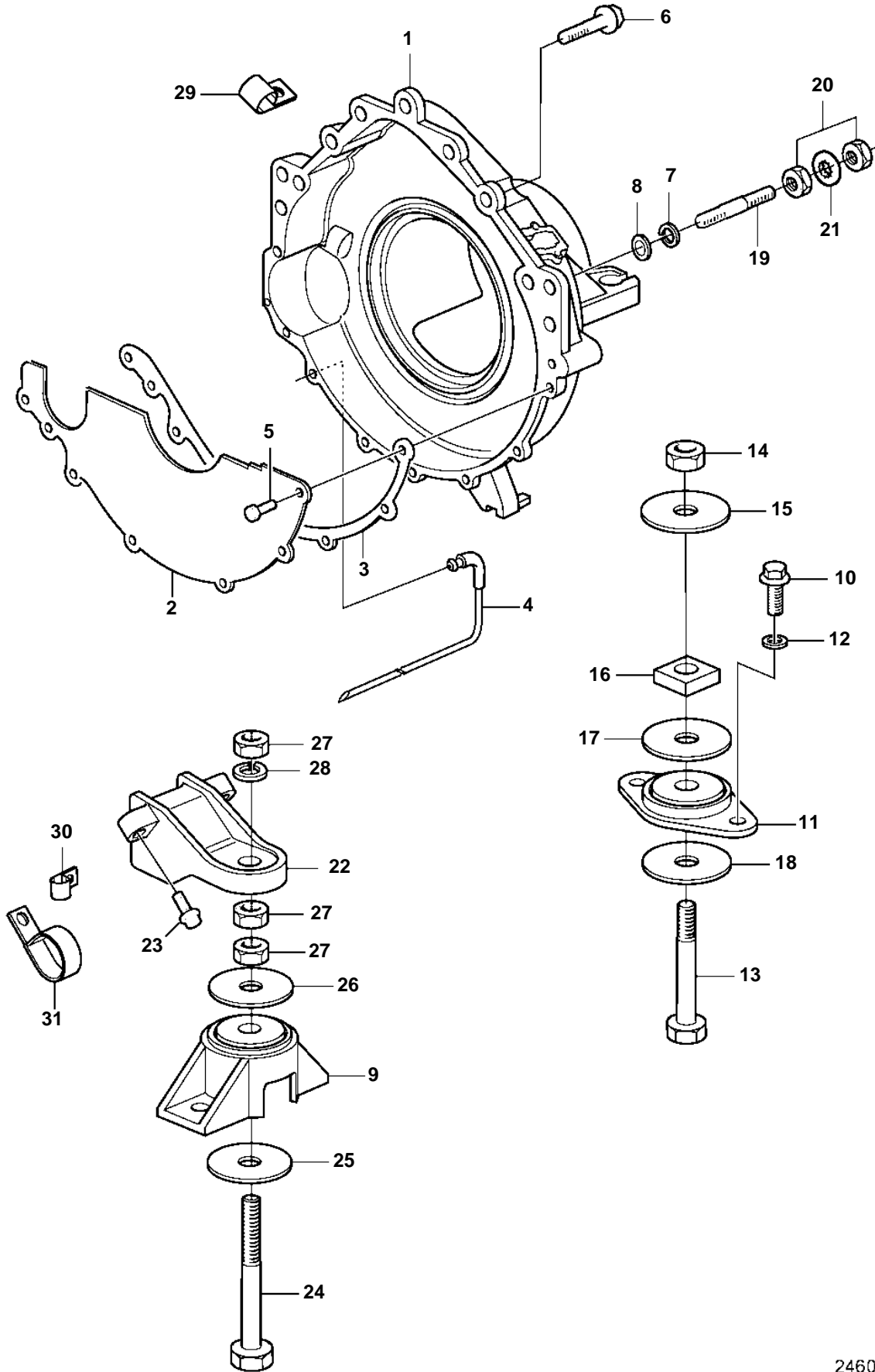


7.4GIPWTR, 7.4GSIPWTR, 8.2GSIPWTR



7.4GIPWTR, 7.4GSIPWTR, 8.2GSIPWTR

REF	PART NO.	QTY	DESCRIPTION	NOTES
1	3852831	1	Housing	
2	3854604	1	Cover	
3	3852834	1	Gasket	
4	3852832	1	Hose, Flywheel hsg	
5	3852421	7	Screw, Flywheel cover	
6	3853392	2	Screw, Flywheel hsg to engine	
	3853547	1	Screw, Reservoir and flywheel hsg to engine	
7	3852002	2	Spring washer, Ground stud, flywheel hsg	
8	3852058	2	Washer, Ground stud, flywheel hsg	
9	3853805	2	Rubber cushion, Engine front	Port and starboard
10	959968	4	Hexagon screw, Rear mount to transom plate	
11	3853806	2	Rubber cushion, Transom plate	
12	3852155	4	Washer, Rear mount to transom plate	
13	3850930	2	Hexagon screw, Rear mount	
14	3850929	2	Lock nut, Rear mount	
15	3852540	2	Washer, Rear mount to flywheel hsg	
16	3852539	2	Square nut, Rear mount	
17	3852622	2	Washer, Rear mount	
18	3852542	2	Washer, Rear mount	
19	3852483	2	Stud, Flywheel housing to engine	Ground
20	3852065	2	Nut, Terminal to ground stud, flywheel hsg	
21	3852070	1	Washer, Ground stud, flywheel hsg	Starboard
22	3857844	2	Bracket, Front, port and starboard	
23	3853326	6	Screw, Front mount bracket to engine	
24	3852566	2	Bolt, Front mount	Front
25	3852428	2	Washer, Bolt, front mount, engine	Lower
26	3852433	2	Washer, Front mount	Upper
27	3852021	6	Nut, Bolt, mount bracket	Front
28	3852090	2	Spring washer, Front mount	
29	3852434	1	Clamp	harness
	3852092	1	Clamp	harness
30	3852146	1	Clamp, Starter leads to stbd bracket	harness
	3852490	1	Clamp	PS hose
31	3853312	1	Clamp	Starboard, cooling hose