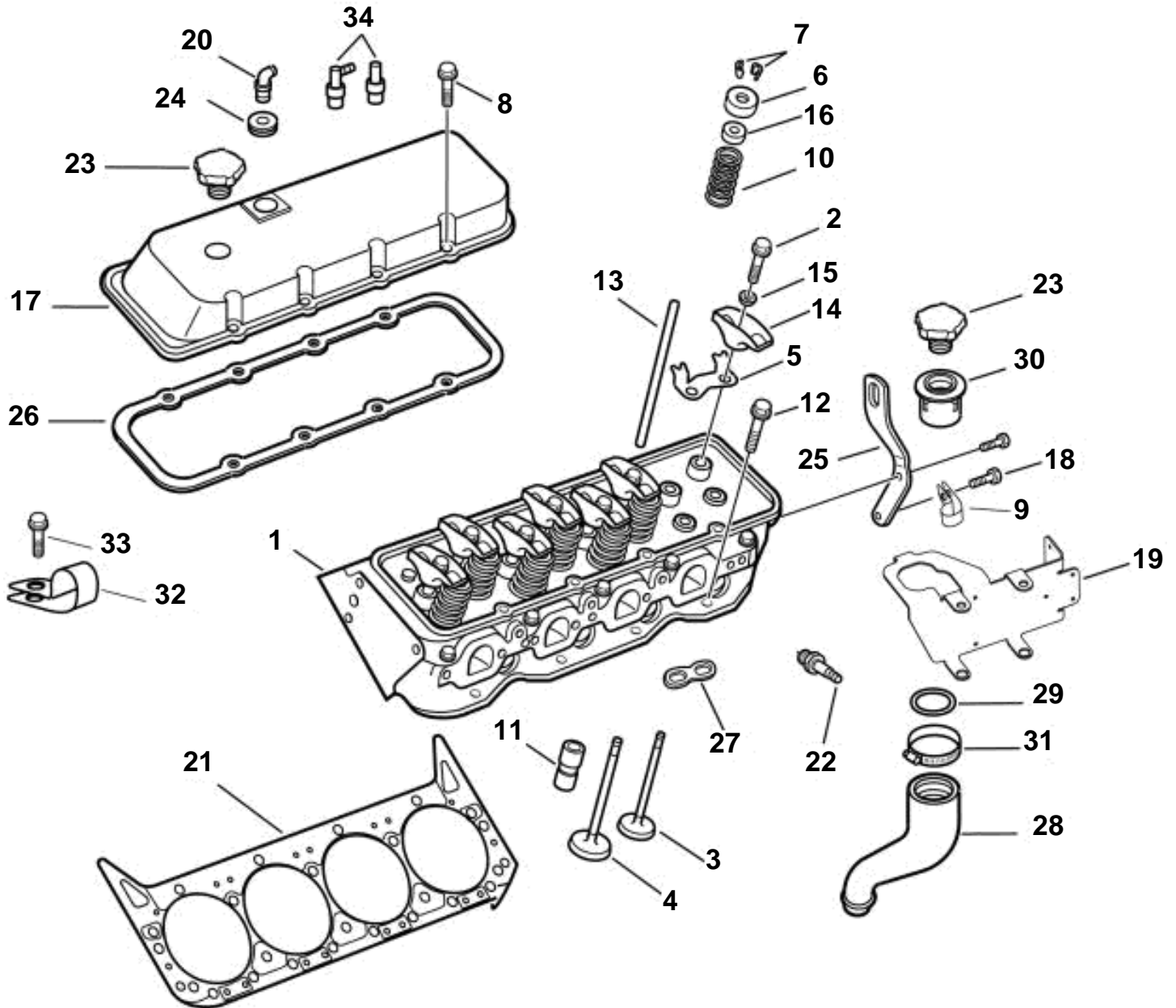


7.4GSIPWTR, 8.2GSIPWTR, DPX385XWTR, DPX415XWTR



## 7.4GSIPWTR, 8.2GSIPWTR, DPX385XWTR, DPX415XWTR

| REF | PART NO. | QTY | DESCRIPTION                         | NOTES              |
|-----|----------|-----|-------------------------------------|--------------------|
| 1   | 3855053  | 2   | Cylinder head                       |                    |
| 2   | 3853504  | 16  | Bolt, Rocker arm                    |                    |
| 3   | 3853349  | 8   | Valve, Standard                     |                    |
|     |          | 1   | Valve, 0.015 in. OS                 |                    |
|     | 3853417  | 1   | Valve, 0.030 in. OS                 |                    |
| 4   | 3853350  | 8   | Valve, Standard                     |                    |
|     |          | 1   | Exhaust valve, 0.015 in. OS         |                    |
|     |          | 1   | Exhaust valve, 0.030 in. OS         |                    |
| 5   | 3853516  | 8   | Guide, Push rod                     |                    |
| 6   |          | 16  | Valve cap, Valve spring             |                    |
| 7   | 3853351  | 32  | Valve cotter, Valve stem            |                    |
| 8   | 3853503  | 14  | Bolt, Valve cover                   |                    |
| 9   | 3852837  | 1   | Clamp, Steering hose                |                    |
| 10  | 3853543  | 16  | Spring                              |                    |
|     | 3853352  | 16  | Washer, Valve spring                |                    |
| 11  | 3856022  | 16  | Tappet                              |                    |
| 12  | 3854766  | 24  | Flange screw, Cylinder head         | Short              |
|     | 3854767  | 8   | Lock screw, Cylinder head           | Long               |
| 13  |          | 8   | Push rod, Intake                    |                    |
|     | 3856018  | 8   | Push rod, Exhaust                   |                    |
| 14  | 3856017  | 16  | Rocker arm                          |                    |
| 15  | 3855049  | 16  | Valve stem seal, Valve stem         |                    |
| 16  | 3855978  | 16  | Ball                                |                    |
| 17  | 3856028  | 2   | Valve cover                         |                    |
| 18  | 3853154  | 2   | Screw, Lift bracket                 |                    |
| 19  | 3856949  | 1   | Bracket, Oil fill, ECU              |                    |
| 20  | 3852104  | 1   | Elbow                               |                    |
| 21  | 3853511  | 2   | Cylinder head gasket, Cylinder head | 7.4 Gi/GSi/DPX 385 |
|     | 3853587  | 2   | Cylinder head gasket, Cylinder head | 8.2 GSi/DPX 415    |
| 22  | 3851861  | 8   | Spark plug kit                      |                    |
| 23  | 3853505  | 2   | Oil filler cap, Oil fill            |                    |
| 24  | 3853562  | 2   | Grommet, Valve cover                |                    |
| 25  | 3854377  | 2   | Bracket                             |                    |
| 26  | 3853513  | 2   | Gasket, Valve cover                 |                    |
| 27  | 3856000  | 8   | Guide                               |                    |
| 28  | 3857208  | 1   | Hose, Oil fill                      |                    |
| 29  | 3854885  | 1   | O-ring, Oil fill neck               |                    |
| 30  | 3857209  | 1   | Filler neck, Oil fill               |                    |
| 31  | 3854978  | 1   | Hose clamp, Oil fill neck           |                    |
| 32  |          | 1   | Clamp, Engine cable                 |                    |
| 33  | 3853389  | 1   | Screw, Engine cable clamp           |                    |
| 34  | 3856215  | 1   | Valve                               |                    |