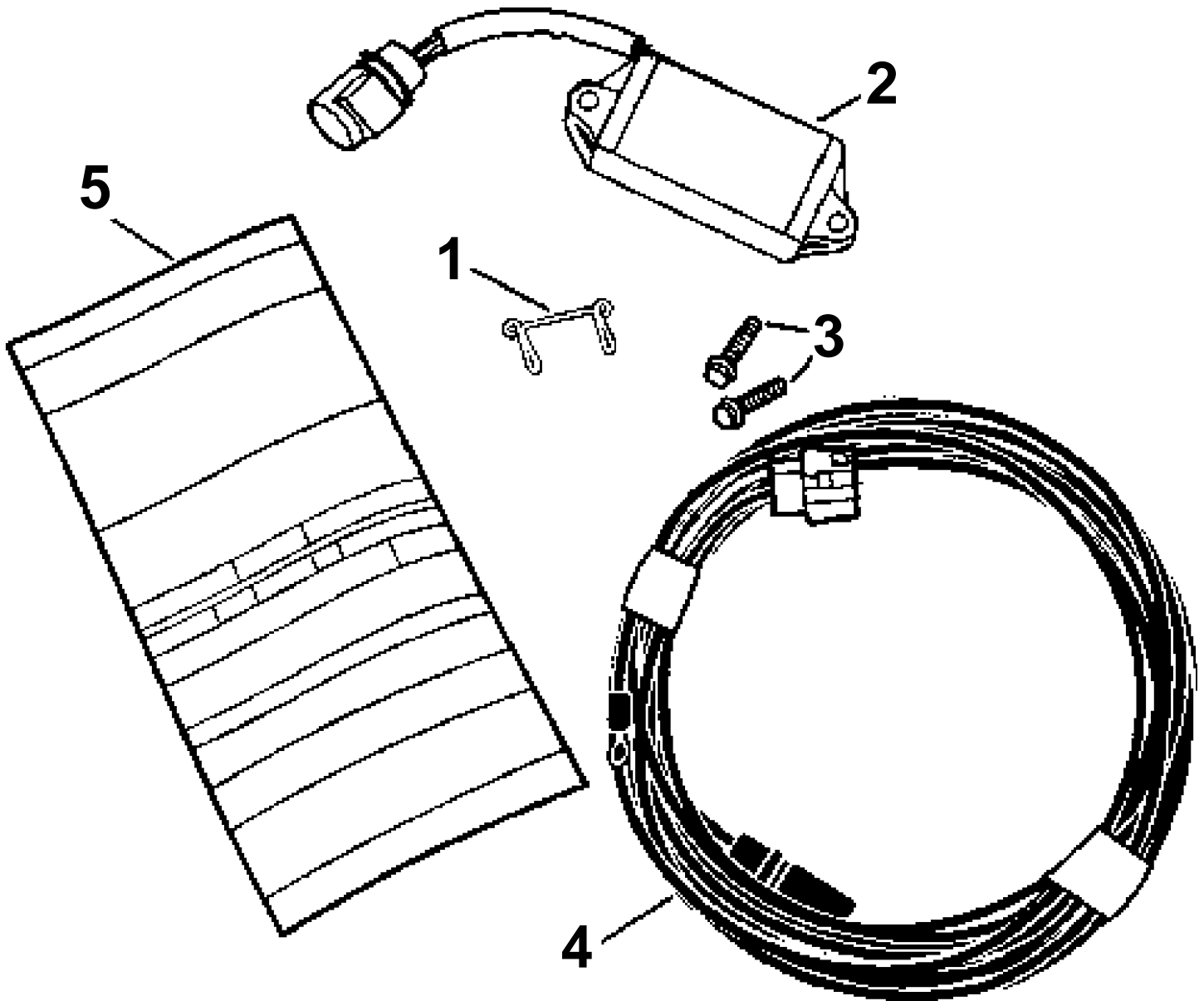


7.4GSIPWTR, 8.2GSIPWTR, DPX385XWTR, DPX415XWTR



GR71875

7.4GSIPWTR, 8.2GSIPWTR, DPX385XWTR, DPX415XWTR

REF	PART NO.	QTY	DESCRIPTION
1		1	Kit
	3852237	1	· Retainer
2	3854714	1	· Shift mechanism
3	3855578	2	· Screw
4		1	· Wiring harness
5	3857604	1	· Kit