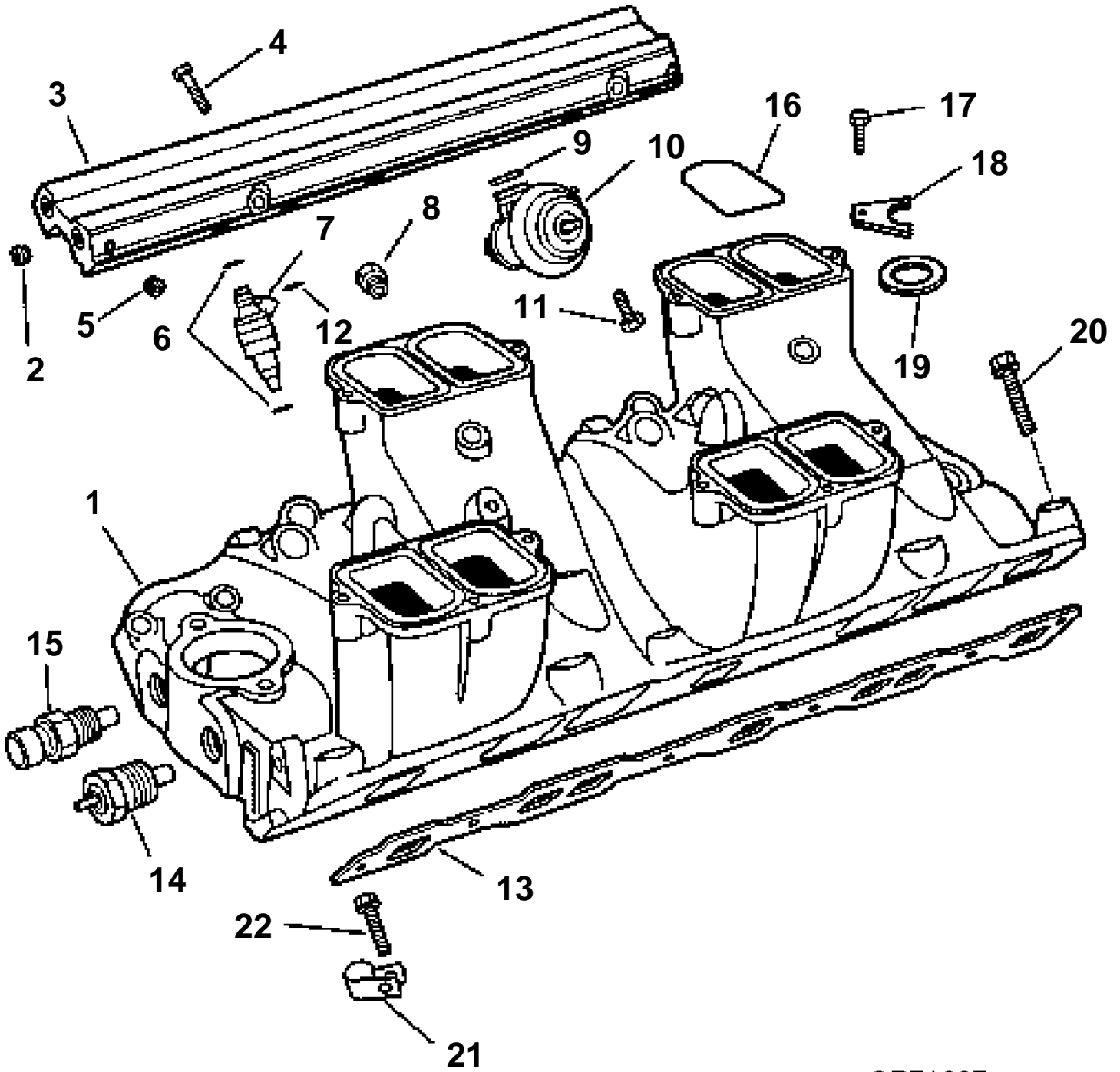


7.4GSIPBYCCE, 8.2GSIPBYCCE, DPX385XBYDCE, DPX415XBYDCE



GR71827

7.4GSIPBYCCE, 8.2GSIPBYCCE, DPX385XBYDCE, DPX415XBYDCE

REF	PART NO.	QTY	DESCRIPTION	NOTES
1		1	Manifold, Lower	
2	3855033	4	Plug, Fuel rail, 1/8-27 NPTF	
3	3854574	1	Fuel pipe	
4		4	Screw, Fuel rail to lower manifold	
5		2	Plug, Fuel rail, 1/16-27 NPTF	
6	3855192	16	O-ring, Fuel injector	Part of engine gasket kit
7	3854518	8	Injector	
8	3852017	1	Adapter, Fuel line to fuel rail	
9	3855190	1	O-ring, Pressure regulator	Part of engine gasket kit
10	3854517	1	Pressure sensor	
11	3852115	1	Screw, Pressure regulator to fuel rail	
12	3855191	8	Clip, Fuel injector	
13	3854095	1	Inlet gasket kit, Intake manifold	GSi; part of engine gasket kit
14	3852029	1	Sender, Water temperature	
	872068	1	Sender, Water temperature, dual station	
15	3850397	1	Switch	
16	3854515	8	O-ring, Manifold	
17	3853557	1	Screw, Distributor clamp to engine	
18	3852108	1	Clamp, Distributor to engine	
19	3852109	1	Gasket, Distributor	
20	3854654	4	Screw	
21	3852434	1	Clamp, Engine cable to intake	
22	3853419	1	Screw, Engine cable clamp	