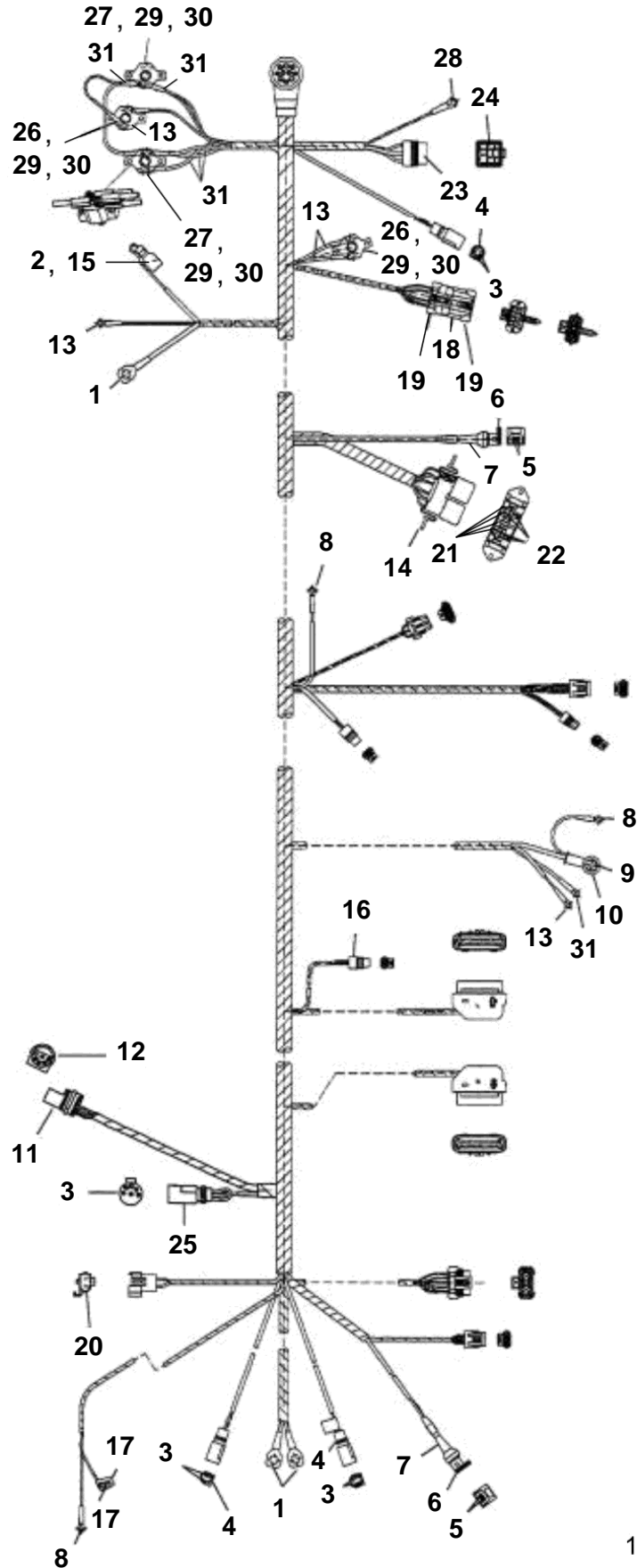


7.4GIPBYCCE, 7.4GIPBYDCE



12208

7.4GIPBYCCE, 7.4GIPBYDCE

REF	PART NO.	QTY	DESCRIPTION
1	3858134	1	Cable harness
	3852527	3	Cable terminal, SAE 207
2	3857189	5	Seal, Cable seal
3	3852229	9	Cable terminal, Terminal, pin
4	3853565	3	Connector, 2 pin rcpt
5	3853679	4	Cable terminal
6	3855021	2	Housing
7	3853681	2	Cover
8	3852233	3	Cable terminal, SAE B200
9	3852038	1	Cable terminal, SAE B305
10	3852130	1	Rubber cap
11		1	Connector, 6 socket plug
12	3852257	6	Cable terminal
13		6	Cable terminal, SAE B104
14	3852210	1	Bracket
15	3853480	1	Terminal casing
16	3857142	1	Connector
17	3850671		Cable terminal, Terminal
18		4	Terminal
19	3852084	1	Cable terminal, Side rcpt
20	3853320	1	Cover, Cover
21	3852246	4	Cable terminal
22	3854244	1	Cable
23	3852246	4	Cable terminal, Rcpt .250
24	3852247	4	Cable terminal, Rcpt .250
25	3854192	1	Connector
26	3852254	4	Cable terminal, Terminal
27		1	Connector, 6 pin rcpt
28	3852230	3	Plug, Connector seal
29	3854162	1	Breaker, 12.5 amp
30	3854163	1	Breaker, 20 amp
31	3854164	2	Breaker, 50 amp