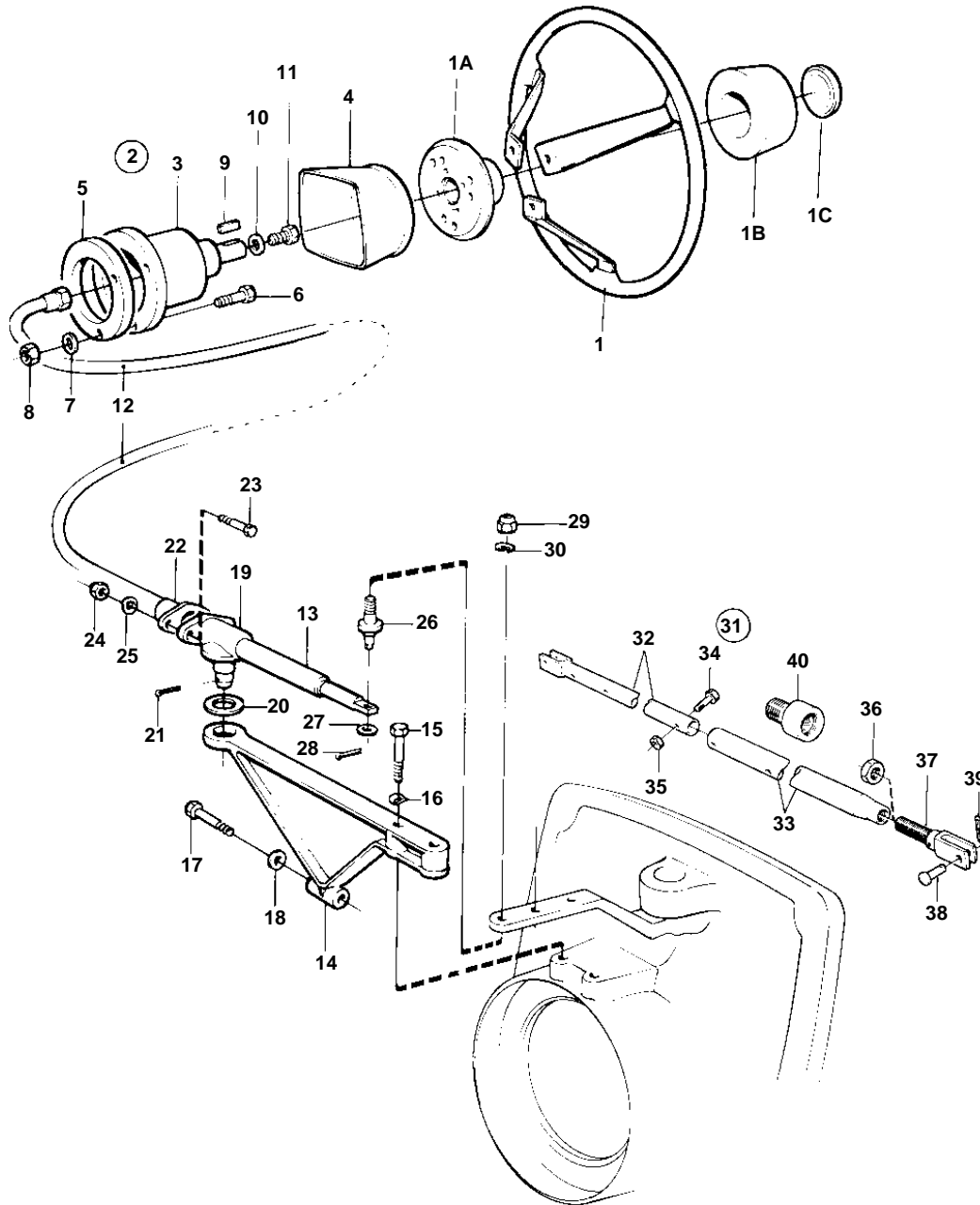


COMMON



8880

COMMON

REF	PART NO.	QTY	DESCRIPTION	NOTES
1	850936	1	Steering wheel	
1A	850937	1	• Steering wheel hub	
1B	828943	1	• Steering wheel pad	
1C	850938	1	• Steering wh emblem	
2	851056	1	Steering head	
3		1	• STEERING GEAR	
4	851057	1	• Cover	
5	851069	1	• Washer	
6	940101	3	• Screw	
7	941906	3	• Spring washer	
8	955781	3	• Nut	
9	851349	1	• Key	
10	948823	1	• Washer	
11	970944	1	• Screw	(940148)
12	852035	X	Steering cable	L = 800 MM
	851017	X	Steering cable	L = 2750 MM
	851018	X	Steering cable	L = 3000 MM
	851020	X	Steering cable	L = 3500 MM
	851021	X	Steering cable	L = 3750 MM
	851022	X	Steering cable	L = 4000 MM
	851023	X	Steering cable	L = 4250 MM
	851024	X	Steering cable	L = 4500 MM
	851025	X	Steering cable	L = 4750 MM
	851026	X	Steering cable	L = 5000 MM
	851027	X	Steering cable	L = 5250 MM
	851028	X	Steering cable	L = 5500 MM
	851029	X	Steering cable	L = 5750 MM
	851030	X	Steering cable	L = 6000 MM
	851031	X	Steering cable	L = 6500 MM
	851032	X	Steering cable	L = 7000 MM
	851033	X	Steering cable	L = 7500 MM
	851034	X	Steering cable	L = 8000 MM
	851921	X	Steering cable	L = 8500 MM
	851922	X	Steering cable	L = 9000 MM
	851923	X	Steering cable	L = 9500 MM
13	851147	1	Steering cylinder	FOR STARBOARD MOUNTING.
	851059	1	Steering cylinder	FOR PORT MOUNTING.
14	853079	1	Bracket kit	(853074)
15	970954	2	Screw	(955324)
16	941908	2	Spring washer	
17	940142	1	Screw	
18	960141	1	Washer	
19	853075	1	Anchorage	
20	955904	1	Washer	
21	907872	1	Cotter pin	
22	853076	1	Cap	
23	940101	2	Screw	
24	963105	2	Nut	
25	949607	2	Spring washer	
26	853077	1	Stud	
27	940097	1	Washer	
28	907844	1	Cotter pin	
29	963108	1	Nut	
30	940280	1	Spring washer	(949608)
31	828913	1	Link stay	ONLY FOR TWIN INSTALLATION.. ADJUSTABLE BETWEEN 610-970 MM.
32	828892	1	• Tube	
33	828893	1	• Tube	
34	970951	2	• Screw	(955321)
35	971089	2	• Lock nut	(963107)
36	955806	1	• Nut	
37	828894	1	• Adjusting bar	
38	913158	2	• Clevis pin	
39	967707	2	• Cotter pin	

COMMON

REF	PART NO.	QTY	DESCRIPTION	NOTES
40	1140020	1	Impulse limiter	