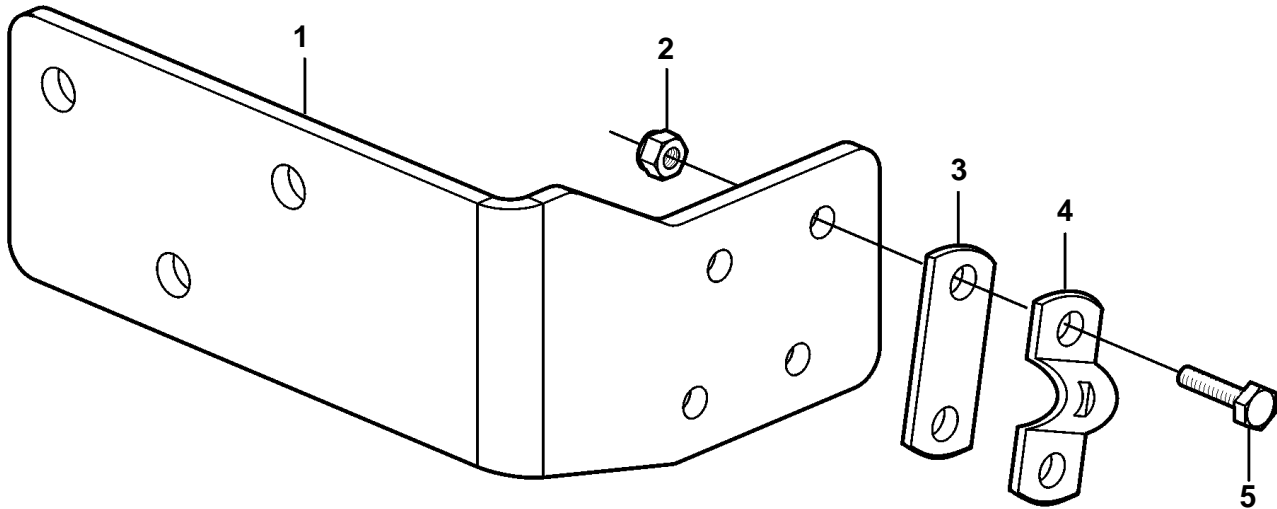
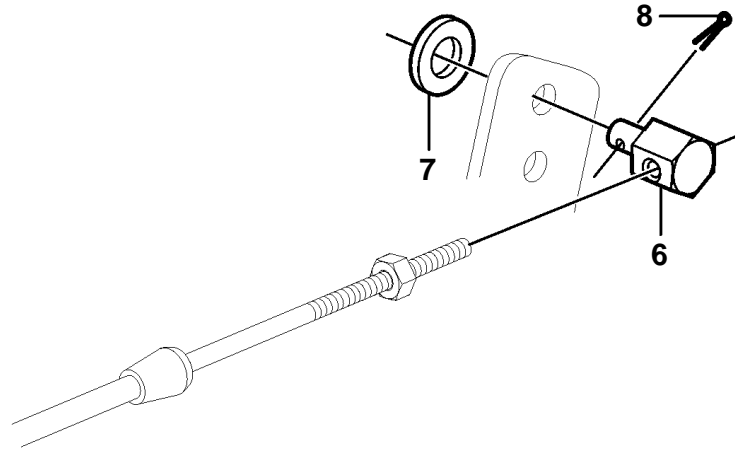


5.7GiI-B, 5.7GXil-C



5.7GiI-B, 5.7GXil-C

REF	PART NO.	QTY	DESCRIPTION
1		1	Bracket
2	946577	1	Lock nut
3	819068	1	Washer
4	819067	1	Brace
5	955246	1	Screw
6	833133	1	Cube
7	940191	1	Washer
8	3850065	1	Cotter pin