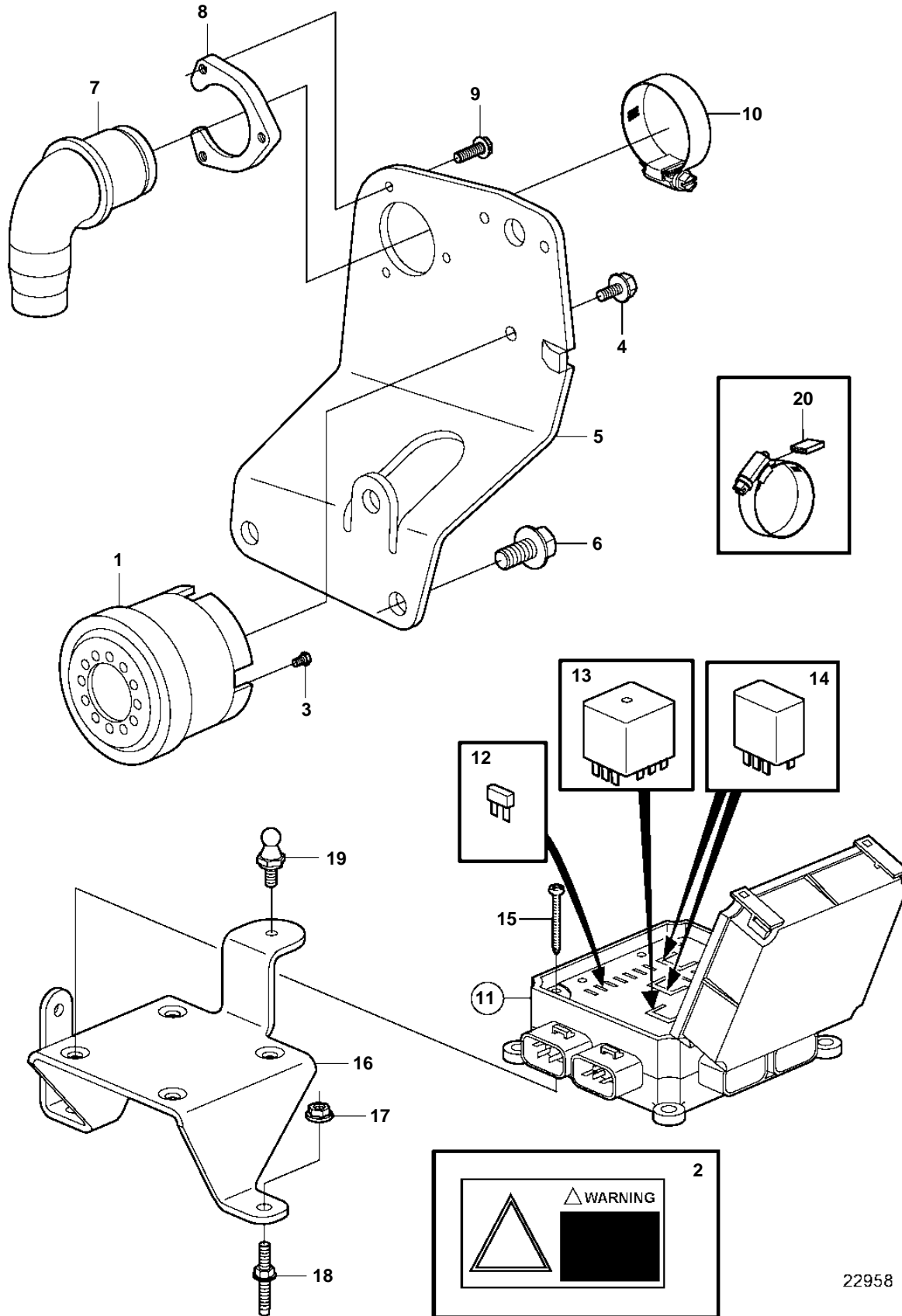


5.7GiI-B, 5.7GXil-C



5.7GiI-B, 5.7GXil-C

REF	PART NO.	QTY	DESCRIPTION	NOTES
1	3860264	1	Alarm	
2	3861504	1	Decal	WARNING!
3	3860531	2	Screw	
4	967949	1	Screw	
5	3861745	1	Bracket	
6	3853557	3	Screw	
7	3861858	1	Cable harness	
8	3852825	1	Retainer	
9	3852208	3	Screw	
10	3853786	1	Clamp	
11	3860965	1	Fuse box	
12	3861373	X	· Fuse	15A
	3861374	X	· Fuse	20A
13	3861375	1	· Starter relay	
14	3861376	2	· Relay	
15	955234	4	Screw	
16		1	Bracket	
17	981124	2	Flange nut	
18	3858973	4	Stud	
19	3861927	2	Stud	
20	3858532	X	Cover	W=0.465" (11.8mm)
	3861999	X	Cover	W=0.300" (7.6mm)