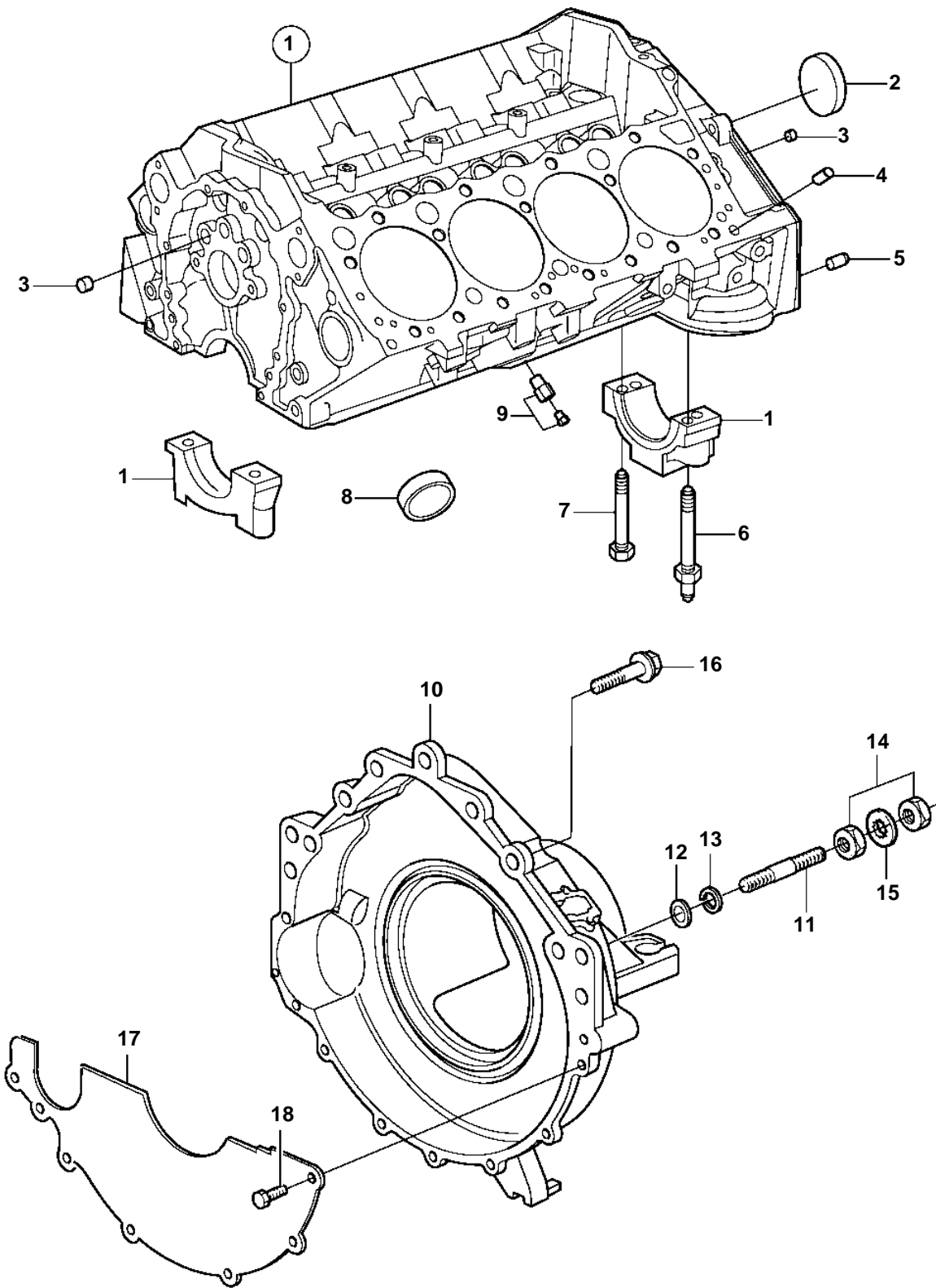


5.0GXi-F, 5.0OSi-F



5.0GXi-F, 5.00Si-F

| REF | PART NO. | QTY | DESCRIPTION | NOTES |
|-----|----------|-----|-----------------------------|----------------|
| 1 | | | Cylinder block | |
| 2 | 3853209 | 1 | Core plug | |
| 3 | 952075 | X | Plug | |
| 4 | 3853114 | 4 | Locating pin, cylinder head | |
| 5 | 3856001 | 2 | Pin, flywheel housing | |
| 6 | 3862354 | 6 | Stud | |
| 7 | 3862355 | 10 | Screw | |
| 8 | 3852100 | 8 | Core plug | |
| 9 | 3854494 | X | Drain cock | |
| 10 | 3808573 | 1 | Flywheel housing | |
| 11 | 982675 | 2 | Stud | |
| 12 | 980933 | 2 | Washer | |
| | 982475 | 2 | Spring washer | |
| 13 | 982679 | 2 | Lock washer | |
| 14 | 982672 | 6 | Nut | |
| 15 | 982679 | 2 | Lock washer | |
| 16 | 3860163 | 1 | Screw | L=1.00" (25mm) |
| | 3860582 | 3 | Screw | L=1.25" (32mm) |
| 17 | 3854604 | 1 | Cover | |
| 18 | 3852421 | 4 | Screw | |