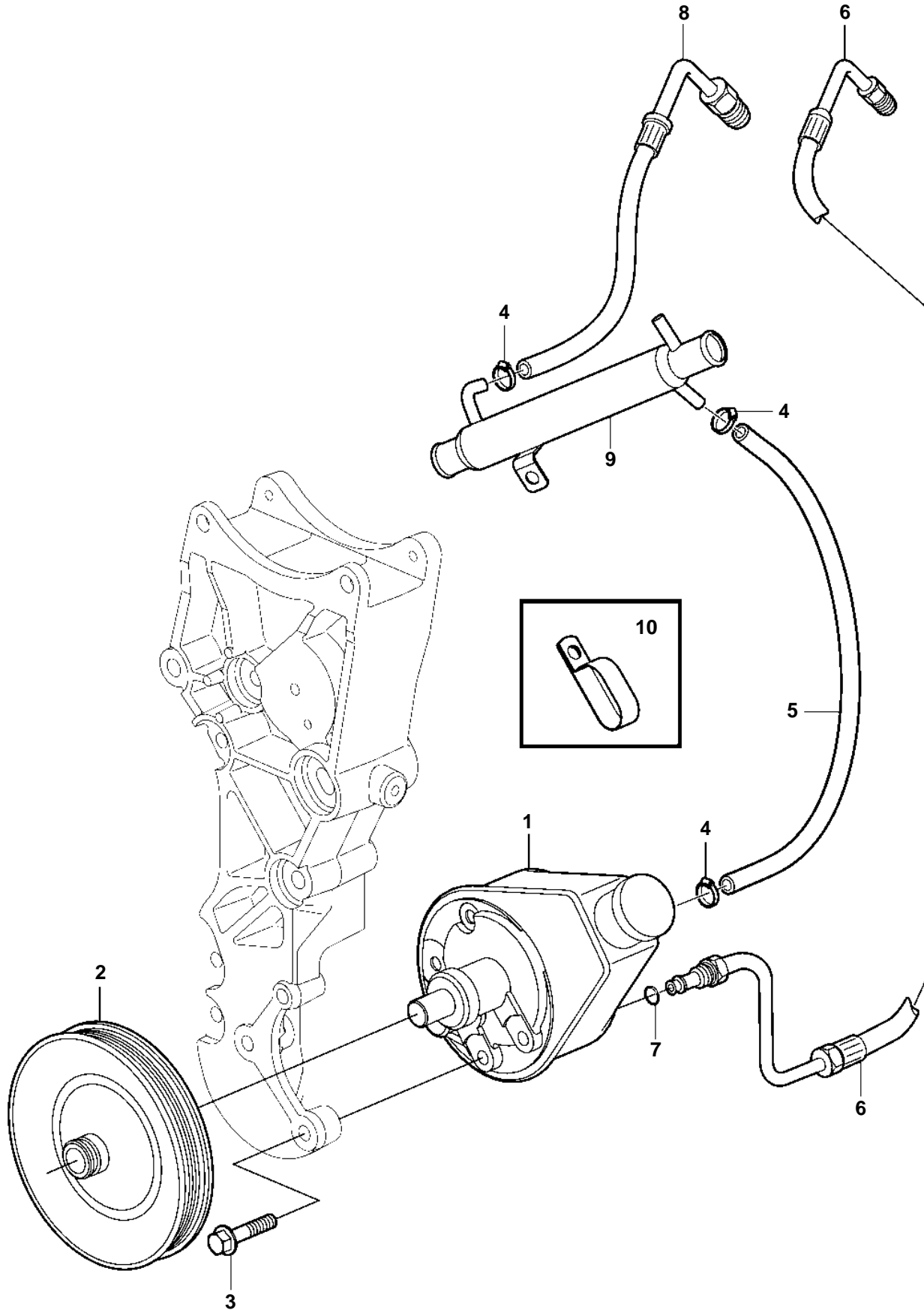


5.0GXi-E, 5.0GXi-EF, 5.0OSi-E, 5.0OSi-EF



5.0GXi-E, 5.0GXi-EF, 5.0OSi-E, 5.0OSi-EF

| REF | PART NO. | QTY | DESCRIPTION         | NOTES    |
|-----|----------|-----|---------------------|----------|
| 1   | 3850491  | 1   | Power steering pump |          |
| 2   | 3862700  | 1   | Pulley              |          |
| 3   | 946752   | 1   | Flange screw        | M10x35mm |
|     | 965220   | 2   | Flange screw        | M10x45mm |
| 4   | 982663   | 3   | Clamp               |          |
| 5   | 3852839  | 1   | Hose                |          |
| 6   | 3863147  | 1   | Pressure hose       |          |
| 7   | 3852497  | 1   | O-ring              |          |
| 8   | 3863148  | 1   | Hose                |          |
| 9   | 3862629  | 1   | Oil cooler          |          |
| 10  |          | 1   | Clamp               |          |