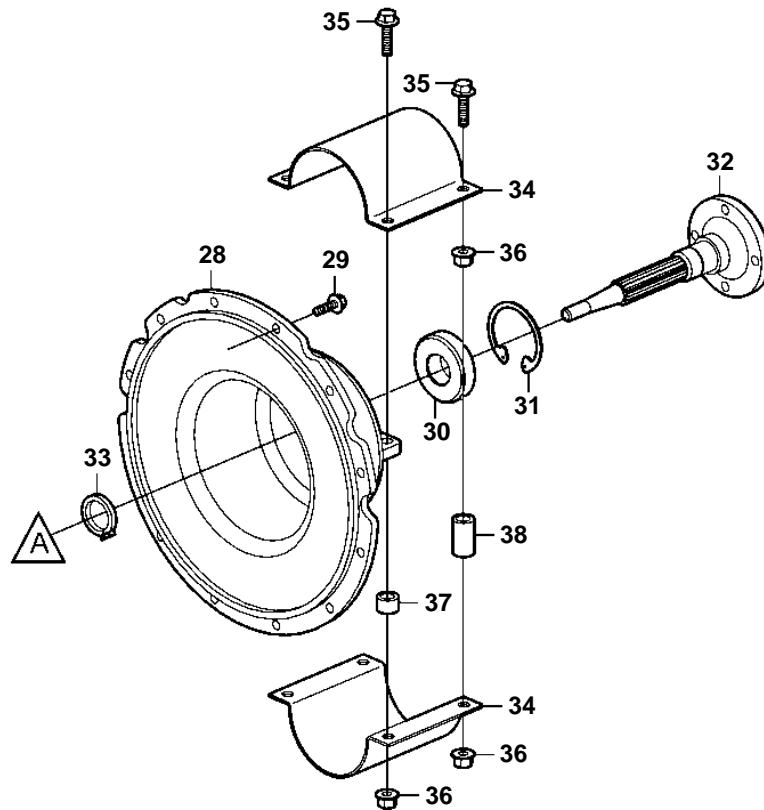
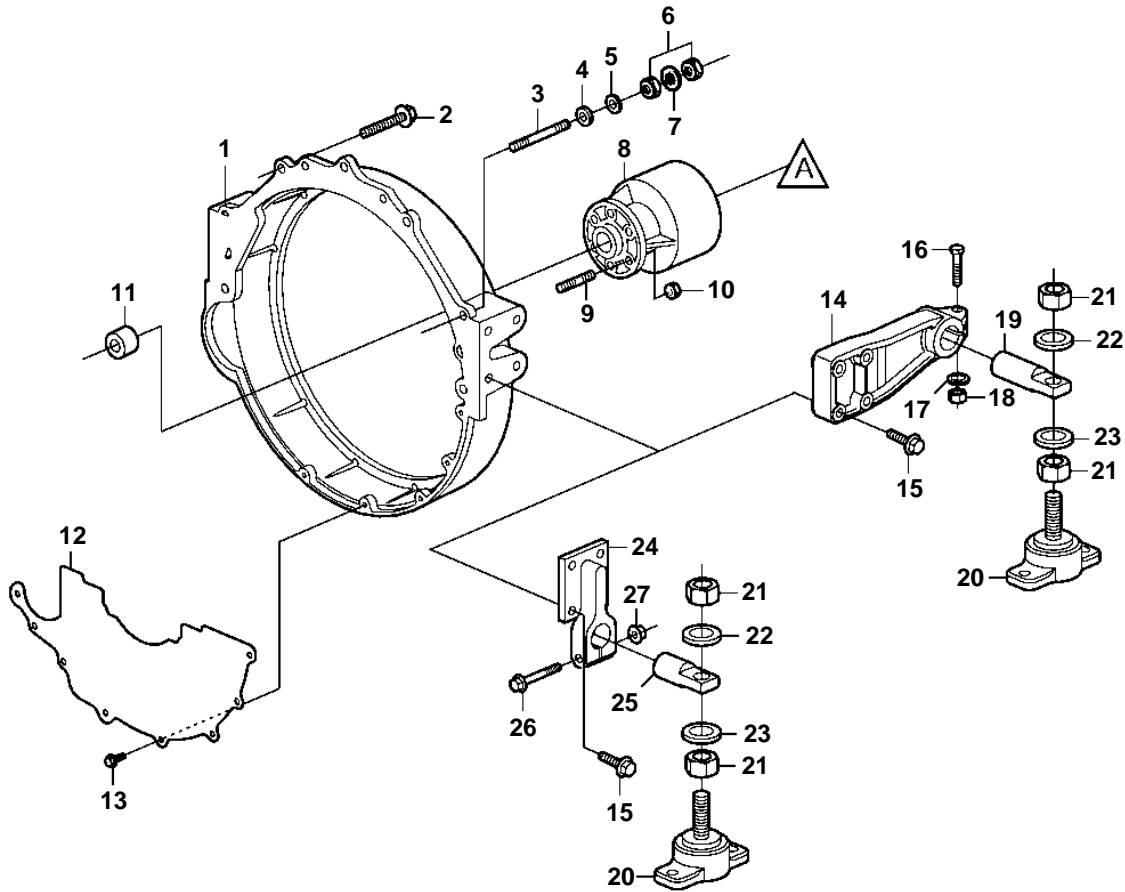


5.0GXi-E, 5.0GXi-EF, 5.0OSi-E, 5.0OSi-EF



19875

5.0GXi-E, 5.0GXi-EF, 5.0OSi-E, 5.0OSi-EF

| REF | PART NO. | QTY | DESCRIPTION | NOTES |
|-----|----------|-----|------------------|--------------|
| 1 | 3851722 | 1 | Flywheel housing | |
| 2 | 3853367 | 4 | Screw | |
| 3 | 3862494 | 2 | Stud | |
| 4 | 980933 | 2 | Washer | |
| 5 | 3852046 | 2 | Lock washer | |
| 6 | 971074 | 4 | Nut | |
| 7 | 982679 | 2 | Lock washer | |
| 8 | 3858437 | 1 | Rubber coupling | |
| 9 | 3861383 | 6 | Stud | |
| 10 | 3853273 | 6 | Lock nut | |
| 11 | 3860697 | 1 | Bushing | |
| 12 | 3854604 | 1 | Cover | |
| 13 | 3852421 | 6 | Screw | |
| 14 | 3851758 | 2 | Bracket | EARLIER PROD |
| 15 | 965187 | 8 | Screw | |
| 16 | 955551 | 2 | Screw | |
| 17 | 941909 | 2 | Spring washer | |
| 18 | 950355 | 2 | Nut | |
| 19 | 841247 | 2 | Pin | |
| 20 | 857251 | 2 | Rubber cushion | |
| 21 | 955860 | 4 | · Nut | |
| 22 | 955902 | 2 | Washer | |
| 23 | 941914 | 2 | Spring washer | |
| 24 | | 2 | Bracket | LATER PROD |
| 25 | | 2 | Pin | |
| 26 | 965222 | 2 | Screw | |
| 27 | 971098 | 2 | Flange lock nut | |
| 28 | 3851727 | 1 | Bearing housing | |
| 29 | 946752 | 11 | Flange screw | |
| 30 | 181877 | 1 | Ball bearing | |
| 31 | 914540 | 1 | Lock ring | |
| 32 | 3851724 | 1 | Flange | |
| 33 | 914465 | 1 | Lock ring | |
| 34 | 3851729 | 2 | Cover | |
| 35 | 965192 | 4 | Flange screw | L=40mm |
| | 948039 | 4 | Flange screw | L=65mm |
| 36 | 971099 | 6 | Flange lock nut | EARLIER PROD |
| | 977938 | 4 | Flange lock nut | LATER PROD |
| 37 | 983740 | 8 | Spacer | L=10mm |
| 38 | 983741 | 4 | Spacer | L=33mm |