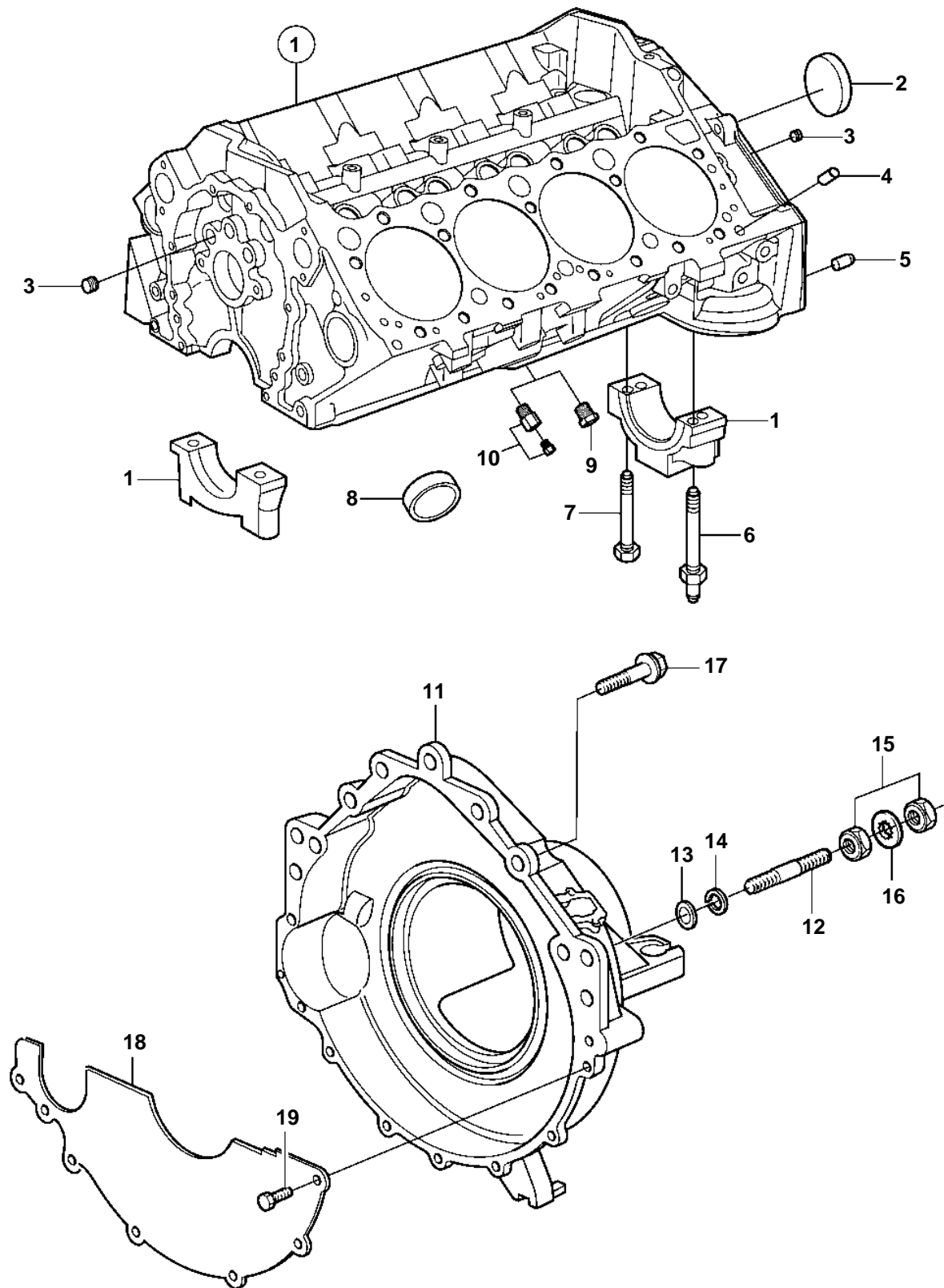


5.00Si-E, 5.00Si-EF



5.00Si-E, 5.00Si-EF

REF	PART NO.	QTY	DESCRIPTION	NOTES
1			Cylinder block	
2	3853209	1	Core plug	
3	952075	X	Plug	
4	3853114	4	Locating pin, cylinder head	
5	3856001	2	Pin, flywheel housing	
6	3862354	6	Stud	
7	3862355	10	Screw	
8	3852100	8	Core plug	
9	3850802	X	Plug	
10	3854494	X	Drain cock	
11	3857846	1	Flywheel housing	
12	982675	2	Stud	
13	982475	2	Spring washer	
14	982679	2	Lock washer	
15	982672	4	Nut	
16	982679	2	Lock washer	
17	3860163	1	Screw	L=1.00" (25mm)
	3860582	3	Screw	L=1.25" (32mm)
18	3854604	1	Cover	
19	3852421	4	Screw	