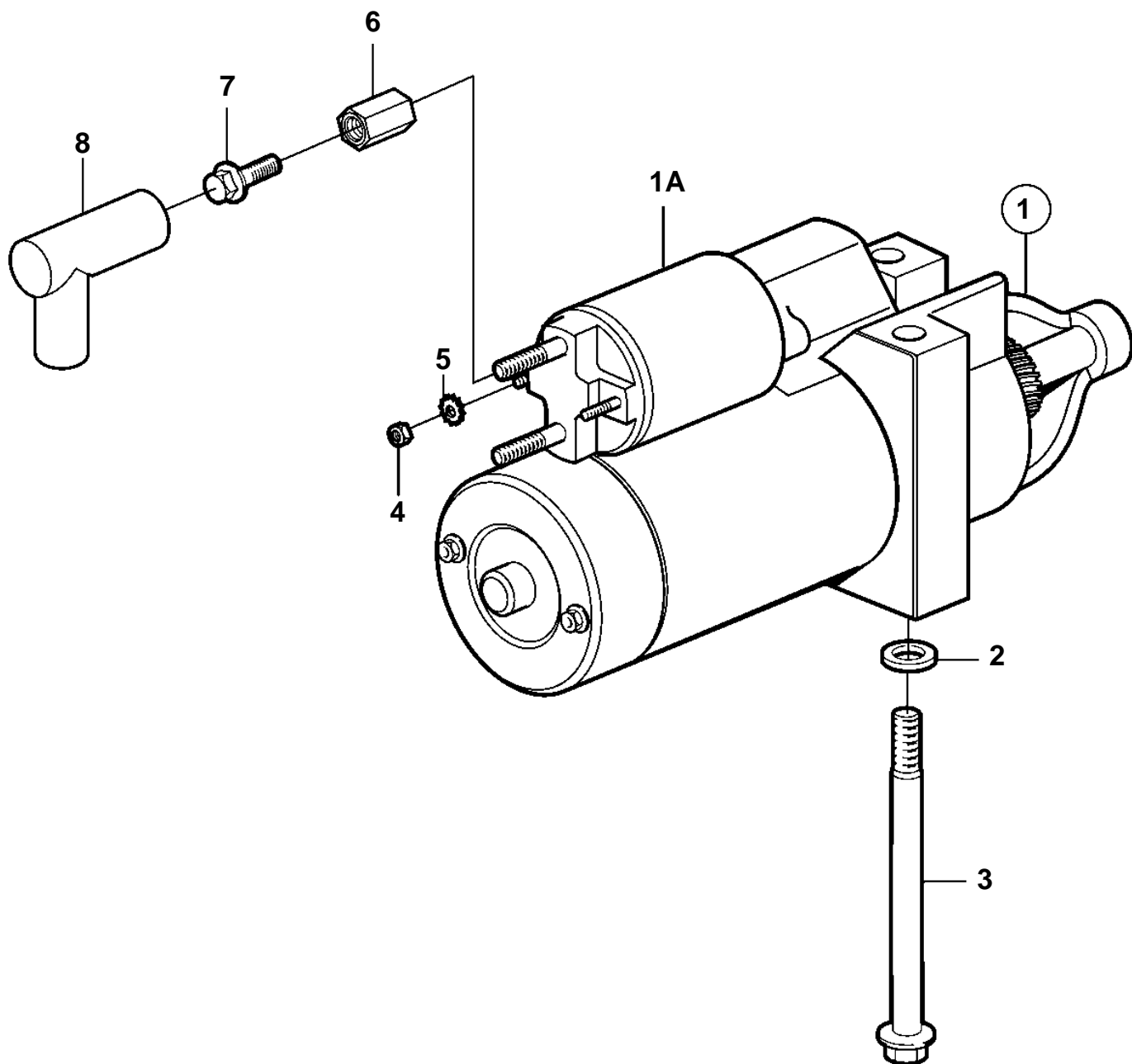


5.0GXi-E, 5.0GXi-EF, 5.0OSi-E, 5.0OSi-EF



5.0GXi-E, 5.0GXi-EF, 5.0OSi-E, 5.0OSi-EF

REF	PART NO.	QTY	DESCRIPTION
1	3860566	1	Starter motor
1A	3810300	1	• Solenoid kit
2	3854496	2	Washer
3	3854752	2	Screw
4	949874	1	Lock nut
5	3852520	1	Washer
6	855314	1	Nut
7	947107	1	Flange screw
8	855798	1	Protecting sleeve